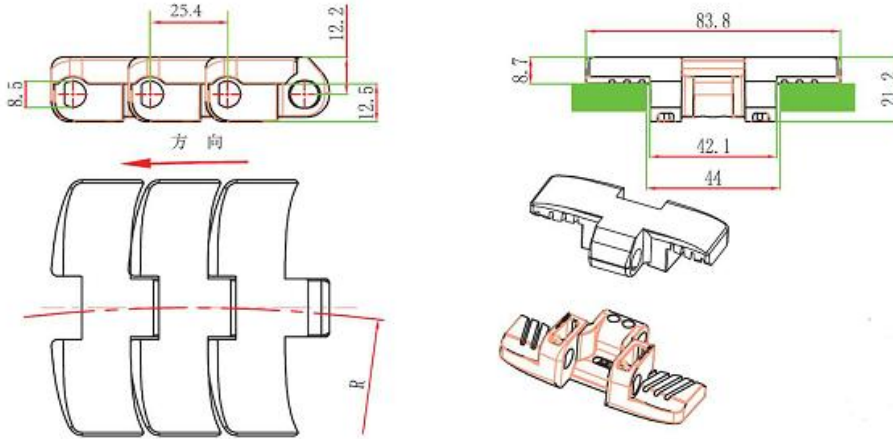


1060 Heavy Duty table top chain

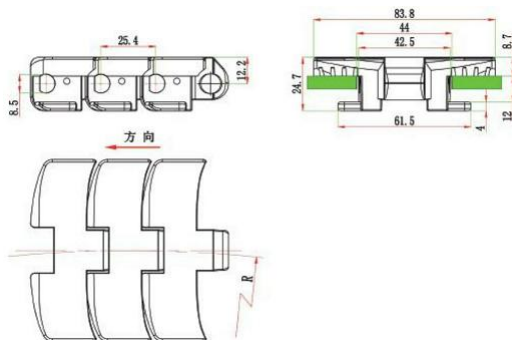
- Main application: food and beverage industry, such as transportation of bottles)cans etc
- Material: POM. Work temperature:-30°C to 90 °C
- Pin mat.: Stainless steel
- Max speed: 50m/min lubrication 30m/min dry
- Working load (25°C):1710N Max.length: 12m



Code	Width (mm)	Weight (Kg/m)	Backflex radius	Sideflex radius
1060-K330	83.8	1.67	130	500

1060TAB Heavy Duty table top chain

- Main application: food and beverage industry, such as transportation of bottles)cans etc
- Material: POM. Work temperature:-30°C to 90 °C
- Pin mat.: Stainless steel
- Max speed: 50m/min lubrication 30m/min dry
- Working load (25°C):1710N Max.length: 12m



sprocket ref. P43



parts ref. P306-332



curve track ref. P338



wear strip ref. P355-359



chain guide ref. P343-354

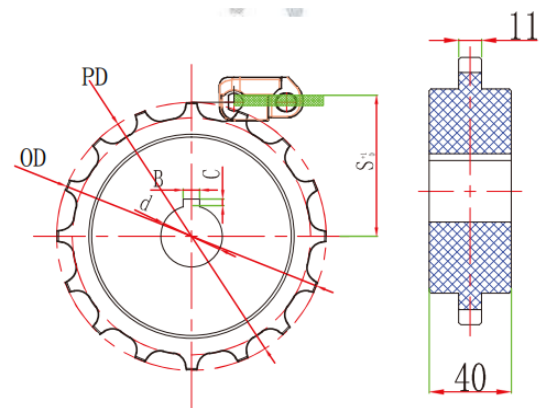
Code	Width (mm)	Weight (Kg/m)	Backflex radius	Sideflex radius
1060TAB-K330	83.8	1.67	130	500

1060 Sprocket

- Material: Reinforced PA
- Apply for normal work load transport
- Bore tolerance: $D^{+0.08}_{+0.02}$



Code	Teeth No	PD (mm)	OD (mm)	Bore (mm)
1-1060-16-25	16	131.2	130.9	25
1-1060-16-30				30
1-1060-16-35				35
1-1050-16-40				40
1-1060-18-25	18	147.4	146.8	25
1-1060-18-30				30
1-1060-18-35				35
1-1060-18-40				40
1-1060-21-25	21	171.76	170.7	25
1-1060-21-30				30
1-1060-21-35				35
1-1060-21-40				40
1-1060-31-25	31	253	252.2	25
1-1060-31-30				30
1-1060-31-35				35
1-1060-31-40				40



- Material: Reinforced PA) Plastic Injection Moulding
- Sprocket Bore tolerance: $D^{-0.05}_{-0.1}$
- Idle Bore tolerance: $D^{+0.2}_{+0.1}$



Code	Teeth No	PD (mm)	OD (mm)	Bore (mm)
3-1060-16-30	16	131.2	130.9	30
3-1050-16-40				40
3-1060-18-30	18	147.4	146.8	30
3-1060-18-40				40

