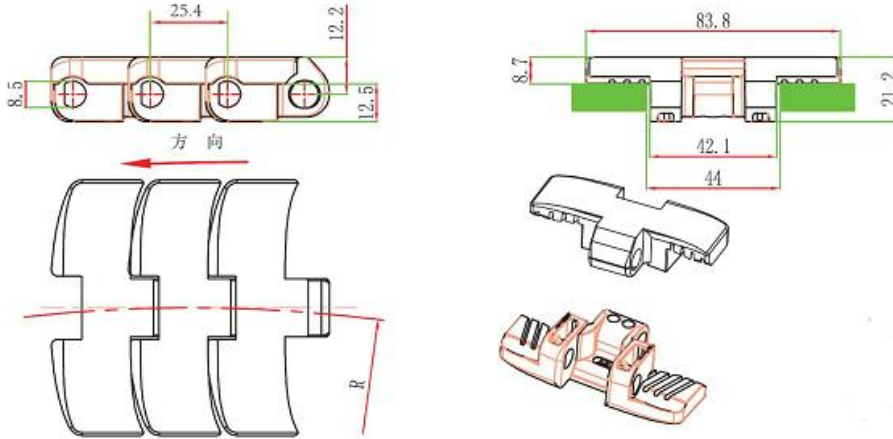


1060 Heavy Duty table top chain

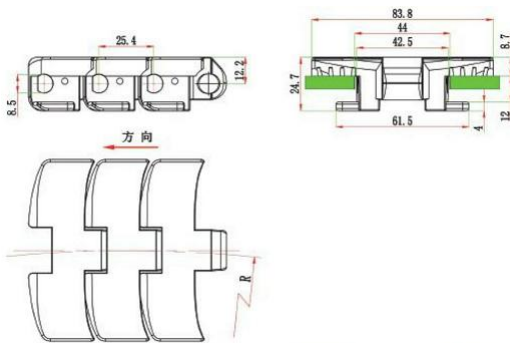
- Main application: food and beverage industry, such as transportation of bottles)cans etc
- Material: POM. Work temperature:-30°C to 90 °C
- Pin mat.: Stainless steel
- Max speed: 50m/min lubrication 30m/min dry
- Working load (25°C):1710N Max.length: 12m



Code	Width (mm)	Weight (Kg/m)	Backflex radius	Sideflex radius
1060-K330	83.8	1.67	130	500

1060TAB Heavy Duty table top chain

- Main application: food and beverage industry, such as transportation of bottles)cans etc
- Material: POM. Work temperature:-30°C to 90 °C
- Pin mat.: Stainless steel
- Max speed: 50m/min lubrication 30m/min dry
- Working load (25°C):1710N Max.length: 12m



sprocket ref. P43



parts ref. P306-332



curve track ref. P338



wear strip ref. P355-359



chain guide ref. P343-354

Code	Width (mm)	Weight (Kg/m)	Backflex radius	Sideflex radius
1060TAB-K330	83.8	1.67	130	500