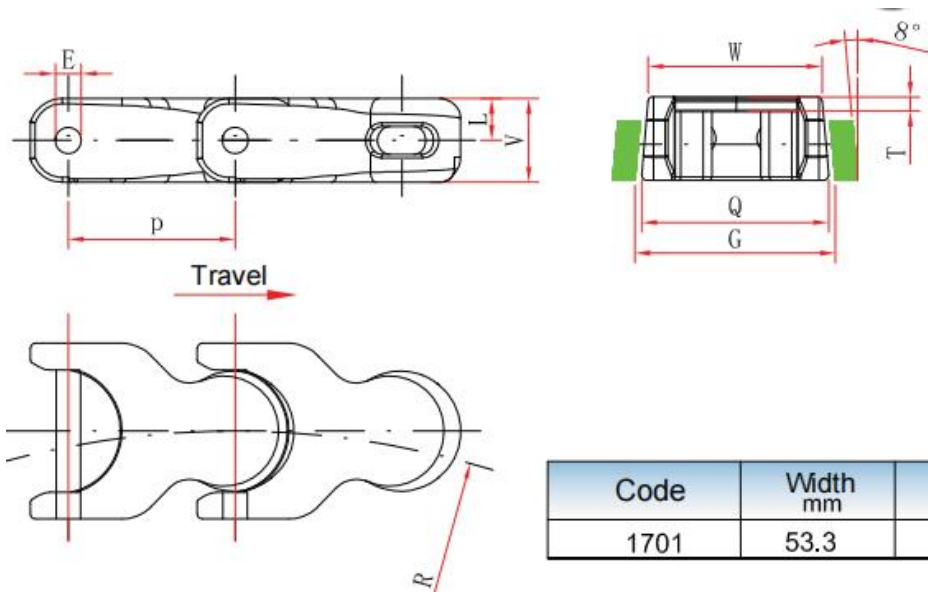


1701 Case chains

- Main application is for transportation of plastic bottles, cans and cartons in dairy industries. Material: POM, color: white;
- Pin material: stainless steel;
- Working load: 3330N;
- Max speed: 40m/min with lubrication; 20m/min dry;
- Supply unit: 20 pcs per meter.

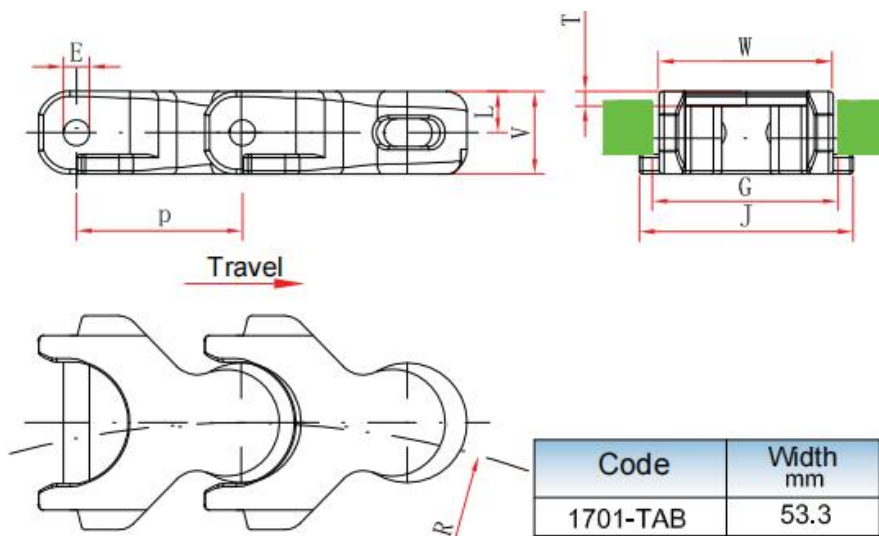


	mm
E	7.7
G	60
V	25
L	12.5
P	50
Q	58.4
T	3.9

Code	Width mm	Weight kg/m	Backflex R mm	Min. Radius mm
1701	53.3	1.37	75	150

1701-TAB Case chains

- Main application is for transportation of plastic bottles, cans and cartons in dairy industries. Material: POM, color: white;
- Pin material: stainless steel;
- Working load: 3330N;
- Max speed: 40m/min with lubrication; 20m/min dry;
- Supply unit: 20 pcs per meter.



	mm
E	7.7
G	59
V	25
L	12.5
P	50
T	4.8
J	64.5

Code	Width mm	Weight kg/m	Backflex R mm	Min. Radius mm
1701-TAB	53.3	1.40	75	150