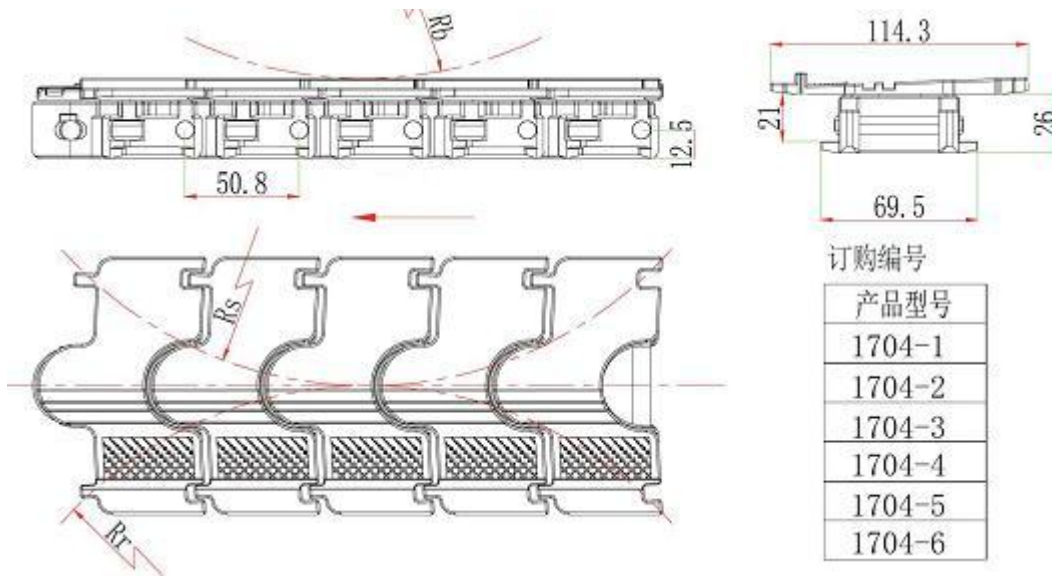


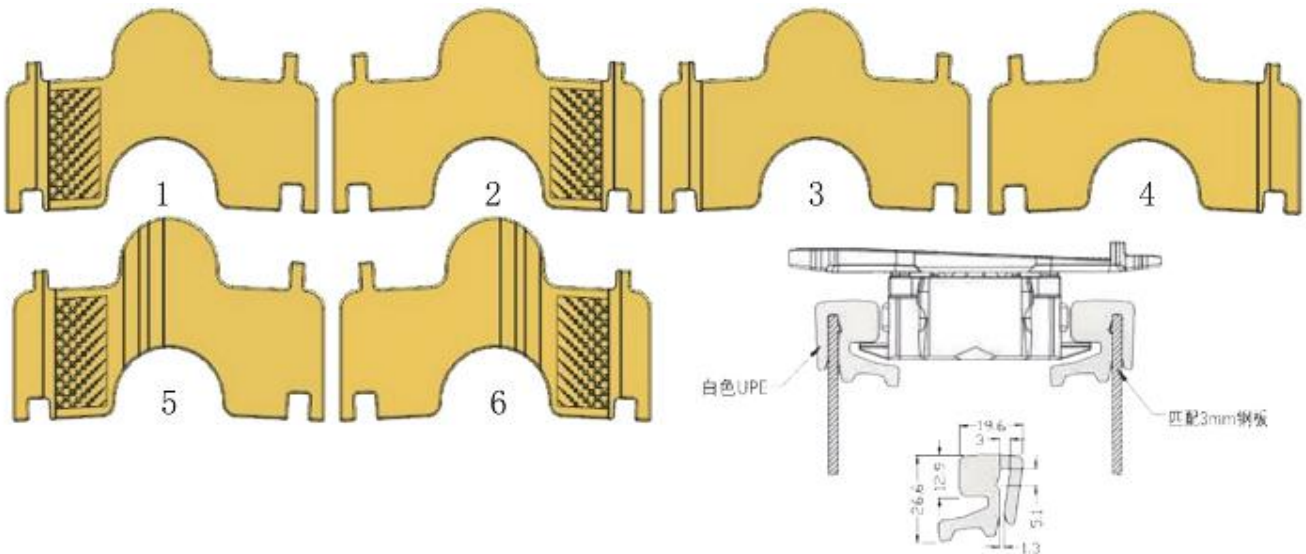
1704 Case conveyor chain with platform

- Application: for all kinds of cartons, bags spiral conveying, with special guide rail and sprocket, the chain with rollers in both side, the plate can disassemble, very easy to install.
- Plate raw material: POM, work temperature: $-30^{\circ}\text{C} \sim +90^{\circ}\text{C}$
- Plate raw material: reinforced nylon, work temperature: $-40^{\circ}\text{C} \sim +120^{\circ}\text{C}$;
- Pin material: stainless steel;



Code	Width	Weight kg/m	Work load	Backflex radius	Rs	Rr
1704	114.3	2.6	4000	390	365	710

1704 platform models:



W110 wear strips for 1704 case chain