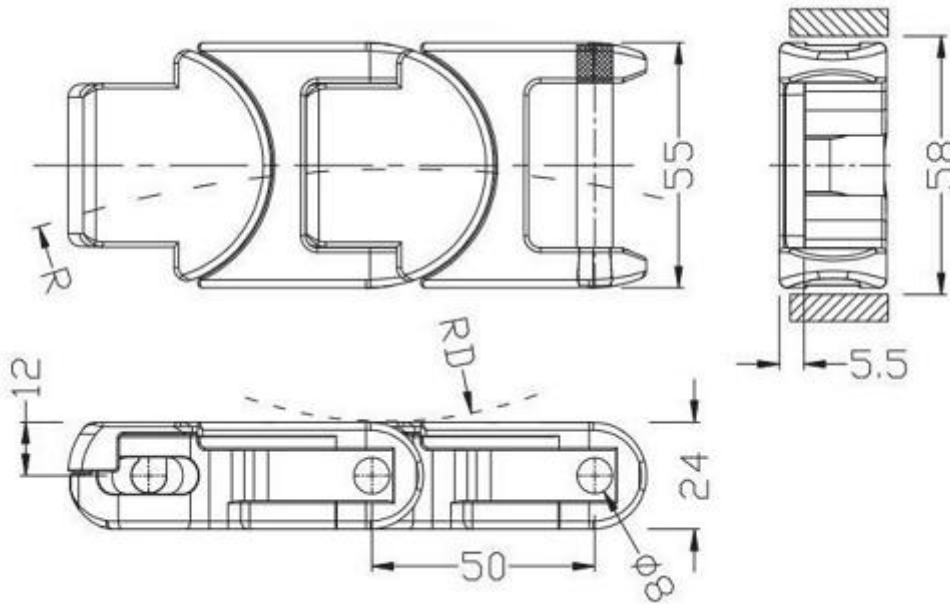
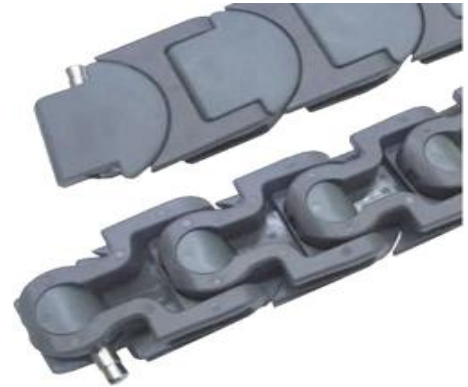


# 1705 seamless case conveyor chain

- No gap on the surface of the chain, it will ensure the conveying more stable.
- Raw material: POM, Grey, work temperature:  $-30^{\circ}\text{C} \sim +90^{\circ}\text{C}$
- Pin material: stainless steel;
- Work load: POM is 2670N/M;
- Sprocket is same to 1701 case chain.



sprocket P304



parts P306-332



wear strip P355-359



chain guide P343-354

| Code | Width mm | Weight kg/m | Backflex radius | Sideflex radius |
|------|----------|-------------|-----------------|-----------------|
| 1705 | 55       | 1.46        | 63.5            | 125             |