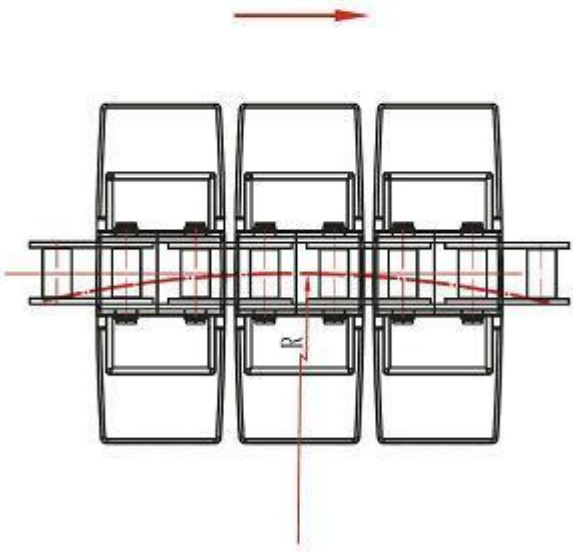
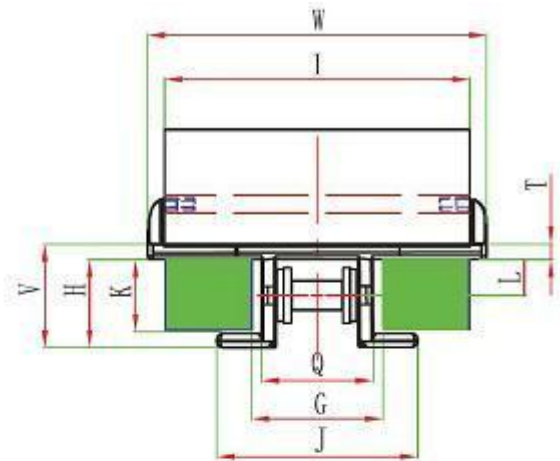
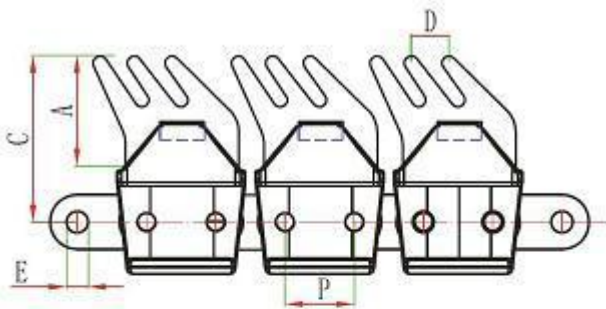


Plastic snap-on sideflex chain 1873-G4

- Main application is for vertical conveying of bottles, cans elevating or turning etc.
- Plates material: POM, Rubber material: Natural rubber
- Roller base chains: standard 12A roller chains,
- Material: carbon steel or stainless steel
- Max speed: 50m/min lubrication, 30m/min dry
- Working load: 3200N (mat.: CS), 1600N (mat.: SS)
- Max conveying length: 30m (mat.: CS), 24m (mat.:SS)
- Supply unit:1.524mtr (5ft)



	mm
E	5.1
G	34.9
H	24.9
J	54.5
K	20.6
L	10.3
P	19.05
Q	31.8
T	5
V	30
C	44.3
A	29



sprocket P401



part P306-332



guide P341



P355-359



guide P343-354

Code		Plates width (mm)	Rubber width (mm)	Weight kg/m	Backflex. Radius (mm)	Min.Radius (mm)
CS	SS					
1873-G4-K375	1873SS-G4-K375	93.2	84	4.475	150	500