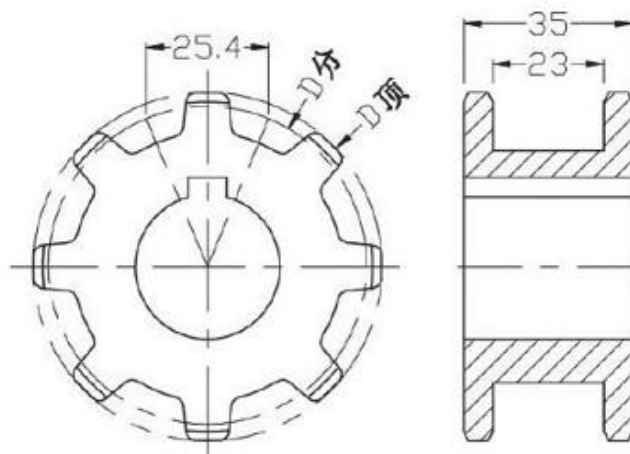


## 50.8 Sprockets

- Mat.: Polyamide PA6) Machined) high precision) matching well
- Good strength) can be used in heavy load transport
- Bore tolerance:  $D^{+0.08}_{+0.02}$



Code	Teeth No	PD	OD	Bore/mm
1-50.8-C-8-20	8	65.81	72.2	20
1-50.8-C-8-30				30
1-50.8-C-9-20	9	74.26	80.5	20
1-50.8-C-9-30				30
1-50.8-C-10-20	10	82.2	88.5	20
1-50.8-C-10-30				30
1-50.8-C-11-20	11	90.18	97	20
1-50.8-C-11-40				40
1-50.8-C-13-20	13	106.14	112.5	20
1-50.8-C-13-40				40
1-50.8-C-15-25	15	122.17	128.5	25
1-50.8-C-15-50				50



## 70 Sprockets

- Mat.: Polyamide PA6) Machined) high precision) matching well
- Good strength) can be used in heavy load transport
- Bore tolerance:  $D^{+0.08}_{+0.02}$



Code	Teeth No	PD	OD	S	Bore/mm
1-70-C-10-25	10	80.9	88	54.5	25
1-70-C-10-30					30
1-70-C-10-35					35
1-70-C-12-25	12	96.59	103.1	62.3	25
1-70-C-12-30					30
1-70-C-12-35					35
1-70-C-12-40					40
1-70-C-14-25	14	112.35	118.5	70.2	25
1-70-C-14-30					30
1-70-C-14-35					35
1-70-C-14-40					40
1-70-C-16-25	16	128.15	134	78.1	25
1-70-C-16-30					30
1-70-C-16-35					35
1-70-C-16-40					40

