

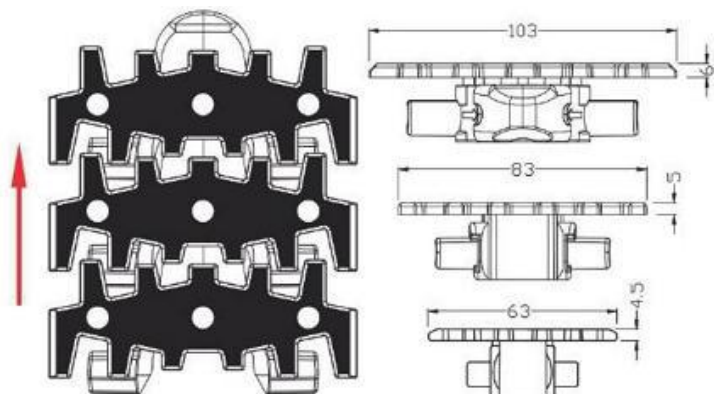
63/83/103 Flexible chain with carbon steel

Main application : All kinds of transportation . High temperature and wear resistance.

Material: POM. Work temperature:-30°C to 90 °C

Material of surface : Carbon steel

Pin mat.: Stainless steel



sprocket ref. P57



parts ref. P306-332



wear strip ref. P355-359



chain guide ref. P343-354

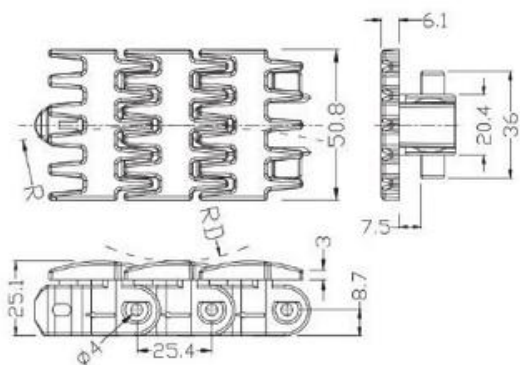
Code	Width/mm	Weight/(kg/m)	Pitch/mm	Pin/mm	Backflex radius	sideflex radius	Working load/N
63-CY	63	2.1	25.4	4	RD100	R150	1250
83-CY	83	2.4	33.5	6	RD100	R160	2100
103-2CY	103	2.8	35.5	6	RD100	R150	2800

50.8-C Flexible chain

Main application:All kinds of tobacco transportation

Material: POM. Work temperature:-30°C to 90 °C; Pin mat.: Stainless steel

Working load (25°C):2670N/M



sprocket ref. P60



parts ref. P306-332



wear strip ref. P355-359



chain guide ref. P343-354

Code	Width (mm)	Weight(kg/m)	Back curve radius	Side flex radius
50.8-C	50.8	0.79	125	250