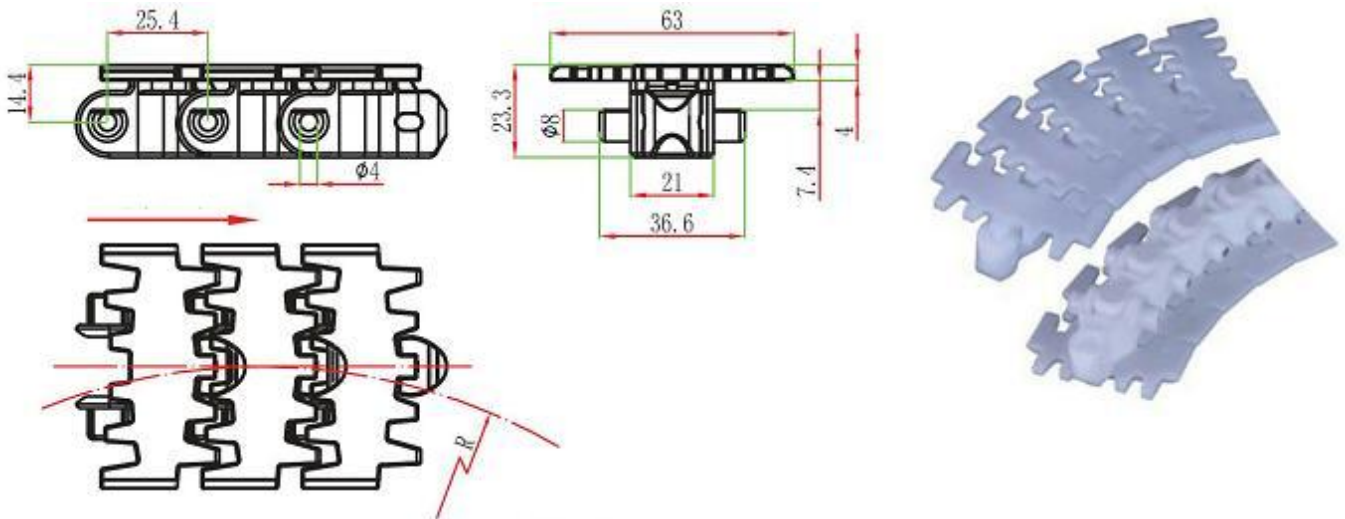


# Flexible chain

- Main application: light items transportation and 360° circular transport;
- Material: POM. Work temperature: -30°C to 90 °C; Pin mat.: Stainless steel ; Max speed 80m/min lubrication, 50m/min dry
- Working load (25°C) 2100N, Max.length 12m

## 63 sideflex chain



sprocket ref. P57



parts ref. P306-332

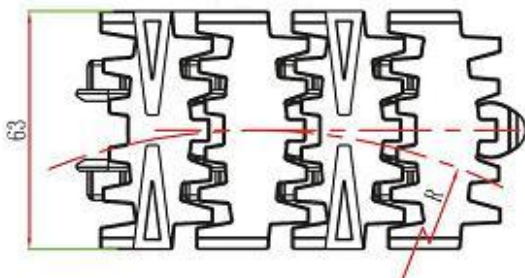
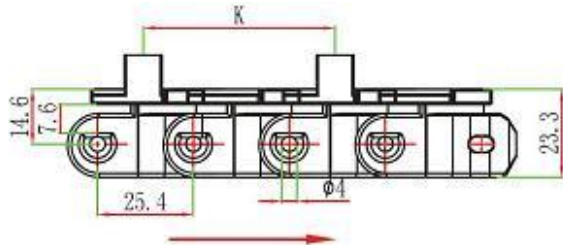


wear strip ref. P355-359



chain guide ref. P343-354

Code	Width (mm)	Weight (Kg/m)	Backflex radius	Sideflex radius
63-C	63	0.78	120	150



sprocket ref. P57



parts ref. P306-332



wear strip ref. P355-359



chain guide ref. P343-354

Code	Width (mm)	Flight height mm	Backflex radius	Sideflex radius
63-CD-4/9/12	63	4/9/12	120	150