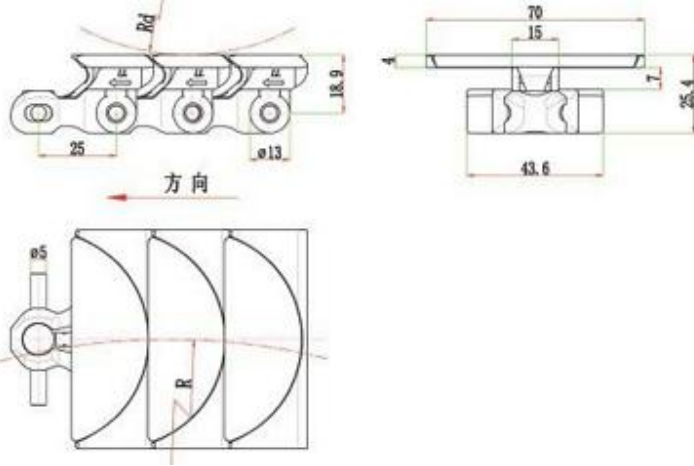
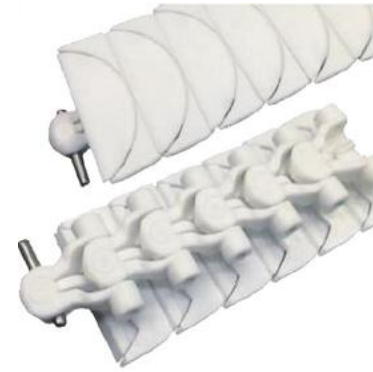


70B flexible chain

- Main application : All kinds of transportation
- Material: POM. Work temperature: -30°C to 90 °C
- Pin mat.: Stainless steel; Working load (25°C): 1000N/M
- Sprockets same as 70 flexible chain



sprocket ref. P60



parts ref. P306-332



wear strip ref. P355-359



chain guide ref. P343-354

Code	Width (mm)	Weight(kg/m)	Back curve radius	Side flex radius
70B-C	70	1.05	80	150