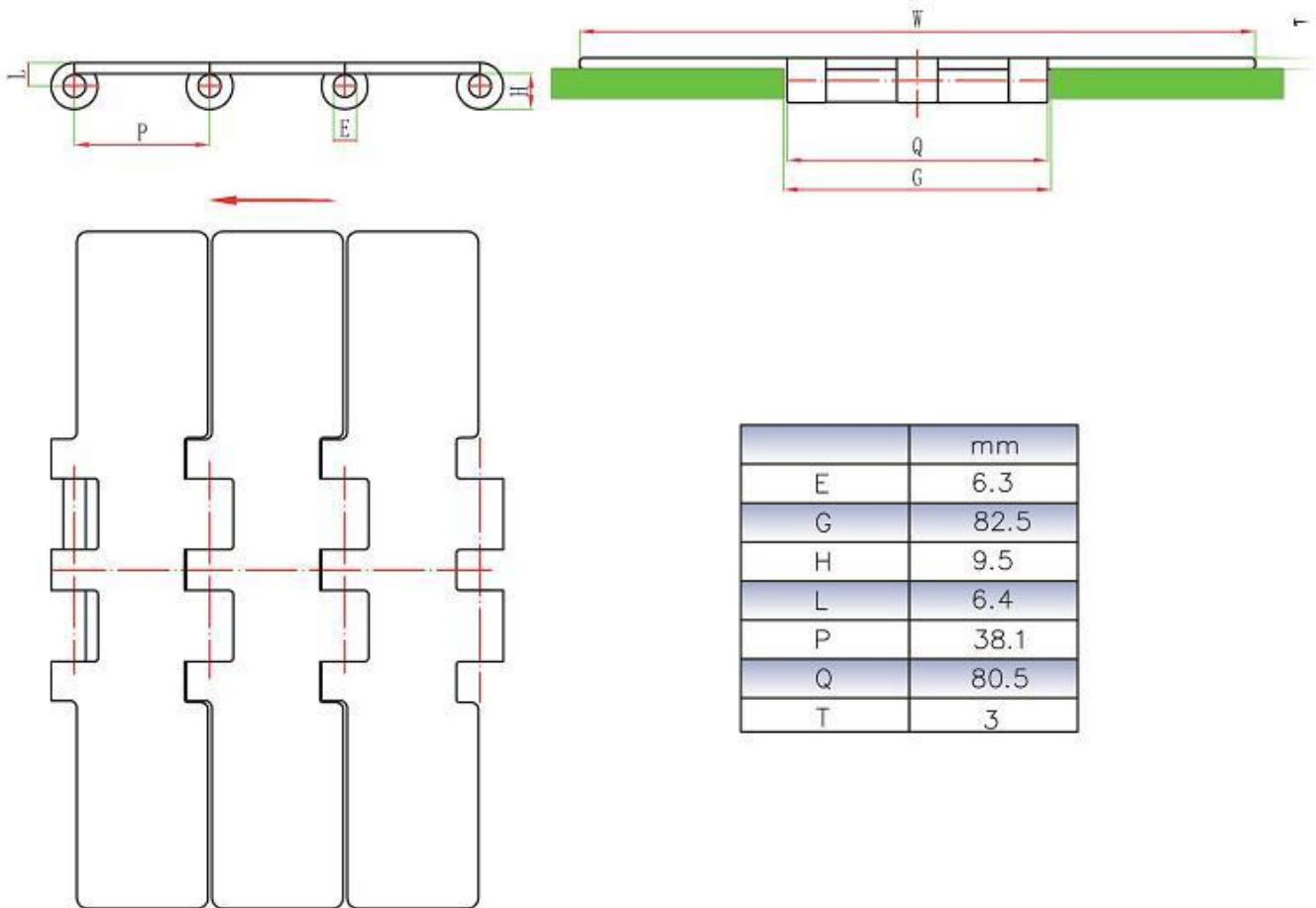
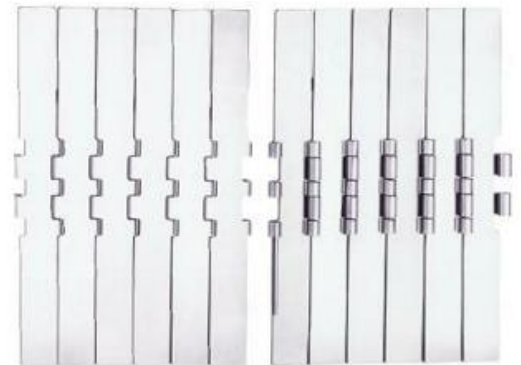


802 Stainless steel double hinge chains

- Main Application: transportation for glass bottles, and heavy load items
- Material.: Stainless steel
- Max.speed:50m/min, lubrication, 30m/min,dry.
- Working load : 3500N, Max transportation length: 15mtr
- Sprockets same to chains 821 ,PAGE27



sprocket ref. P70



parts ref. P306-332



wear strip ref. P355-359



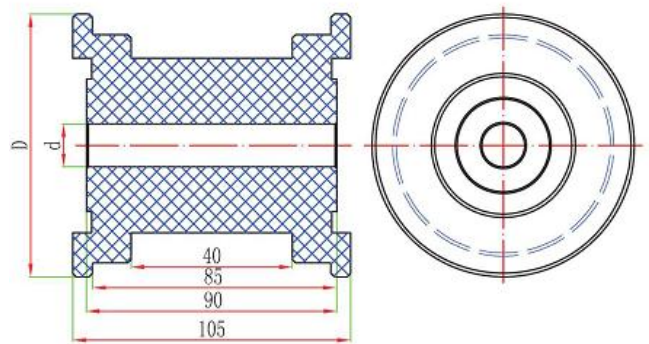
chain guide ref. P343-354

| Code | Width (mm) | Weight (Kg/m) | Backflex radius |
|-------------------|--------------|-----------------|-----------------|
| SS802-K750(C30D) | 190.5 | 5.8 | 150 |
| SS802-K1000(C40D) | 254.0 | 7.73 | 150 |
| SS802-K1200(C50D) | 304.8 | 9.28 | 150 |
| SS802-K1900 | 485 | 11.96 | 150 |

802 Idler

- Mat.: Mat.: Polyamide PA6) Machined) high precision)
- Apply for normal work load transport
- Bore tolerance : $D^{+0.08}_{+0.02}$

| Code | Teeth No | D (mm) | Bore (mm) |
|-------------|----------|--------|-----------|
| 2-802-19-20 | 19 | 117 | 20 |
| 2-802-19-25 | | | 25 |
| 2-802-19-30 | | | 30 |
| 2-802-19-35 | | | 35 |
| 2-802-21-25 | 21 | 131 | 25 |
| 2-802-21-30 | | | 30 |
| 2-802-21-35 | | | 35 |
| 2-802-21-40 | | | 40 |
| 2-802-23-25 | 23 | 140.7 | 25 |
| 2-802-23-30 | | | 30 |
| 2-802-23-35 | | | 35 |
| 2-802-23-40 | | | 40 |
| 2-802-25-25 | 25 | 155 | 25 |
| 2-802-25-30 | | | 30 |
| 2-802-25-35 | | | 35 |
| 2-802-25-40 | | | 40 |



802 Idler

- Mat.: Mat.: Polyamide PA6) Machined) high precision)
- Apply for normal work load transport
- Bore tolerance : $D^{+0.08}_{+0.02}$

| Code | D (mm) | Bore (mm) |
|-------------|--------|-----------|
| 2-802-74-25 | 74 | 25 |
| 2-802-74-30 | | 30 |
| 2-802-84-35 | 84 | 35 |
| 2-802-84-40 | | 40 |

