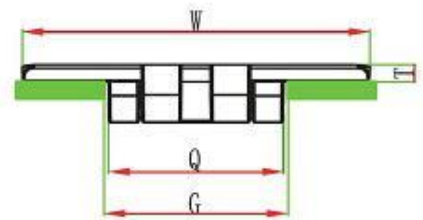
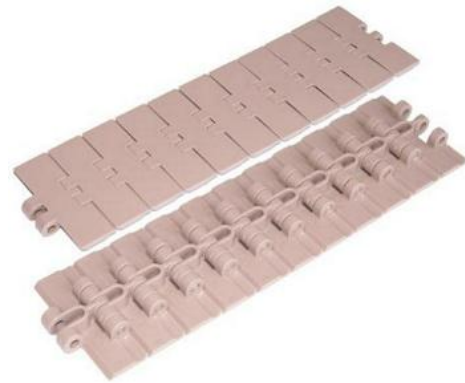


805 Single hinge Chains

- Main application: food and beverage industry such as transportation of bottles, cans etc.
- Material: POM. Work temperature: -40°C to 90 °C
- Pin material: Stainless steel
- Max speed :50m/min, lubrication 30m/min dry
- Working load (25°C) 1230N, Max.length 12m



	mm
E	6.3
G	44.5
H	9.3
L	7.15
P	25.4
Q	41.5
T	4



sprocket ref. P14



parts ref. P306-332



wear strip ref. P355-359



chain guide ref. P343-354

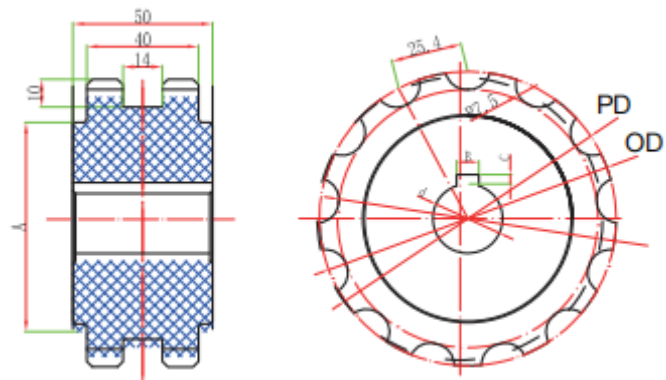
Specification

Code	Width (mm)	Weight (Kg/m)	Backflex radius
805-K325	82.6	0.75	40

805 Sprockets

- Material: Polyamide PA6, Machined, high precision, matching well.
- Good strength, can be used in light load transport
- Bore tolerance: $D^{+0.08}_{+0.02}$

Code	Teeth No.	PD	OD	Bore/mm
1-805-9-20	9	74.26	74.3	20
1-805-9-25				25
1-805-9-30				30
1-805-11-20	11	90.16	90.2	20
1-805-11-25				25
1-805-11-30				30
1-805-13-25	13	106.14	106.1	25
1-805-13-30				30
1-805-13-35				35
1-805-13-40				40
1-805-15-25	15	122.17	122.2	25
1-805-15-30				30
1-805-15-35				35
1-805-15-40				40
1-805-17-25	17	138.23	138.2	25
1-805-17-30				30
1-805-17-35				35
1-805-17-40				40



805 Idlers

- Material: Polyamide PA6, Machined, high precision, matching well.
- Good strength, can be used in light load transport
- Bore tolerance: $D^{+0.08}_{+0.02}$

Code	Teeth No.	D	A	Bore/mm
2-805-9-20	9	75	51	20
2-805-9-25				25
2-805-9-30				30
2-805-11-20	11	91	55	20
2-805-11-25				25
2-805-11-30				30
2-805-13-25	13	107	55	25
2-805-13-30				30
2-805-13-35				35
1-805-13-40				40
1-805-15-25	15	123	70	25
1-805-15-30				30
1-805-15-35				35
1-805-15-40				40
1-805-17-25	17	139	85	25
1-805-17-30				30
1-805-17-35				35
1-805-17-40				40

