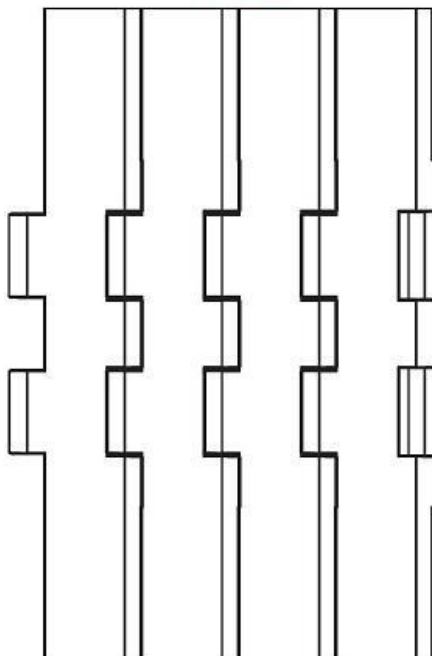
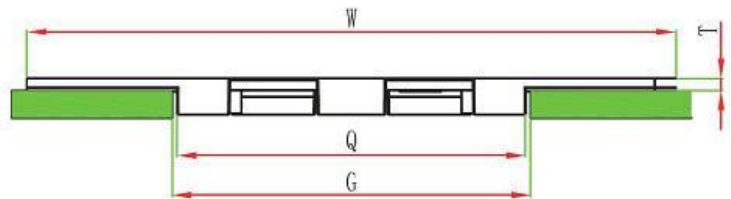
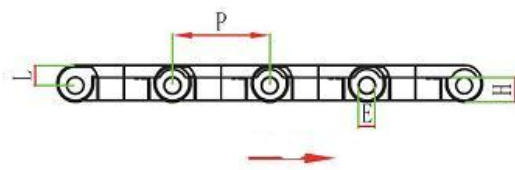


821 Double hinge Chains

- Main application: food and beverage industry, such as transportation of bottles, cans etc.
- Material.: POM Temperature: -30°C to 90 °C
- Pin Mat.: Stainless steel
- Max speed 50m/min lubrication 30m/min dry
- Working load (25°C) 2680N, Max length 15m



	mm
E	6.3
G	140
H	9.5
L	7.95
P	38.1
Q	
T	4.8



sprocket ref. P27-29



parts ref. P306-332



wear strip ref. P355-359



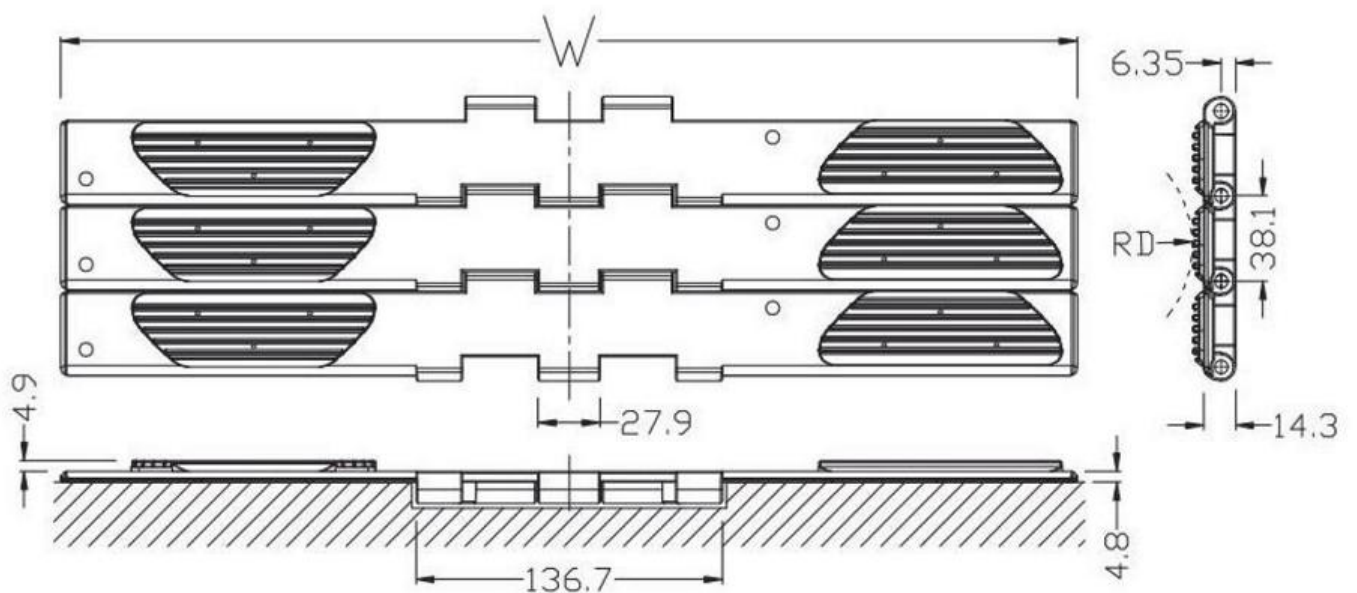
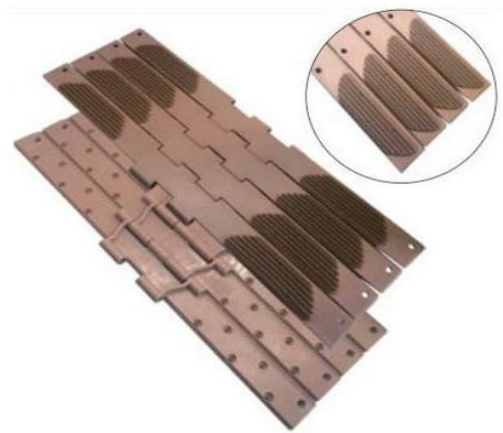
chain guide ref. P343-354

Code	Width (mm)	Weight (Kg/m)	Backflex radius	Q mm
821-K750 (LL40S)	190.5	2.48	50	133.5
820-K1000(LL50S)	254	2.73	50	136.5
820-K1200(LL60S)	304.8	3.22	50	136.5

HF821-K1800 Single hinge

Chains

- Main application: food and beverage industry such as transportation of bottles) cans etc.
- Material: POM. Work temperature: -30°C to 90 °C
Color: coffee
- Pin mat.: $\phi 6.3\text{mm}$ Stainless steel
- Working load (25°C) 2680N



sprocket ref. P27-29



parts ref. P306-332



wear strip ref. P355-359



chain guide ref. P343-354

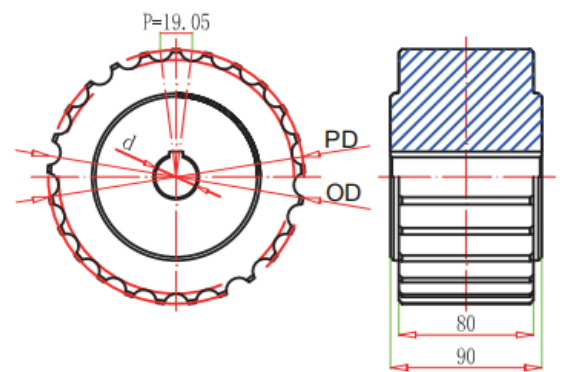
Code	Width/mm	Weight/(kg/m)	Q/mm	Backflex radius
HF821-K1800	457.2	4.25	136.7	50

821 Sprockets



- Material: Polyamide PA6, Machined, high precision, matching well
- Bore tolerance: $D^{+0.08}_{+0.02}$
- Good strength, can be used in heavy load transport
- Meanwhile, suit for stainless steel chains 802

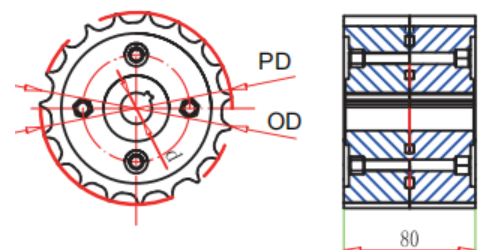
Code	Teeth No	PD	OD	Bore/mm
1-821-19-20	19	115.7	117	20
1-821-19-25				25
1-821-19-30				30
1-821-19-35				35
1-821-21-25	21	127.8	129	25
1-821-21-30				30
1-821-21-35				35
1-821-21-40				40
1-821-23-25	23	139.9	140.7	25
1-821-23-30				30
1-821-23-35				35
1-821-23-40				40
1-821-25-25	25	152.0	153	25
1-821-25-30				30
1-821-25-35				35
1-821-25-40				40



- Material: Reinforced PA, Mould
- Meanwhile, suite for stainless steel chains 802
- Bore tolerance : $D^{+0.2}_{+0.1}$



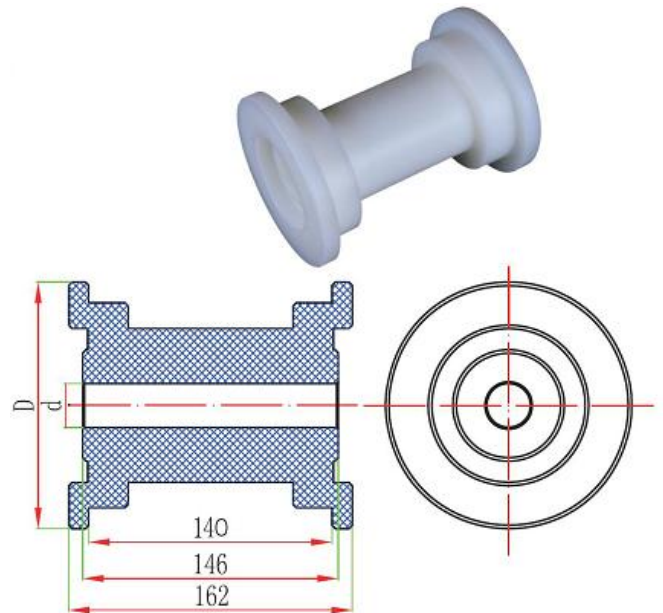
Code	Teeth No.	PD	OD	Bore/mm
3-821-19-25	19	115.7	117	25
3-821-19-30				30



821 series idler

- Material.Polyamide, Machined,high precision , matching well
- Bore tolerance: $D^{+0.08}_{+0.02}$
- Good strength, can be used in heavy load transport
- Meanwhile, suit for stainless steel chains 802

Code	Teeth No	OD	Bore/mm
2-821-19-20	19	117	20
2-821-19-25			25
2-821-19-30			30
2-821-19-35			35
2-821-21-25	21	131	25
2-821-21-30			30
2-821-21-35			35
2-821-21-40			40
2-821-23-25	23	140.7	25
2-821-23-30			30
2-821-23-35			35
2-821-23-40			40
2-821-25-25	25	155	25
2-821-25-30			30
2-821-25-35			35
2-821-25-40			40

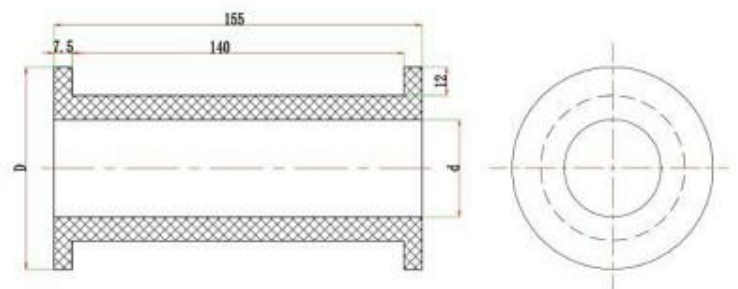


821 series idler

- Polyamide PA6) Machined)high precision)- matching well
- Apply for normal work load transport
- Bore tolerance : $D^{+0.08}_{+0.02}$



Code	PD	Bore/mm
2-821-74-25	74	25
2-821-74-30		30
2-821-84-35	84	35
2-821-84-40		40



821 Series idler with bearings

- Polyamide PA6, Machined, high precision, matching well
- Good strength, can be used in light load transport
- It can be used for 820/812 series idler with bearings
- The shape and thickness should be machined by Lilai standard
- D1 means bearing outer diameter, Tolerance from $-0.05 \sim 0$, D2 means bearing inner diameter, B means bearing thickness, Tolerance from $0 \sim +0.1$;

Model Process method – Code – Teeth – D2 – Bearing model

Example: 2 – 821 – 21 – 20 – 6004

Purchase No.: – – – –

① Standard bearing technical parameter

Bearing NO.	D1	D2	B	d
6003	35	17	10	30
6004	42	20	12	35
6005	47	25	12	40
6205	52	25	15	45
6006	55	30	13	45
6007	62	35	14	50



② standard 821 idler Parameter

Teeth	Outer diameter
17	105
19	117
21	131
23	140.7
25	155

