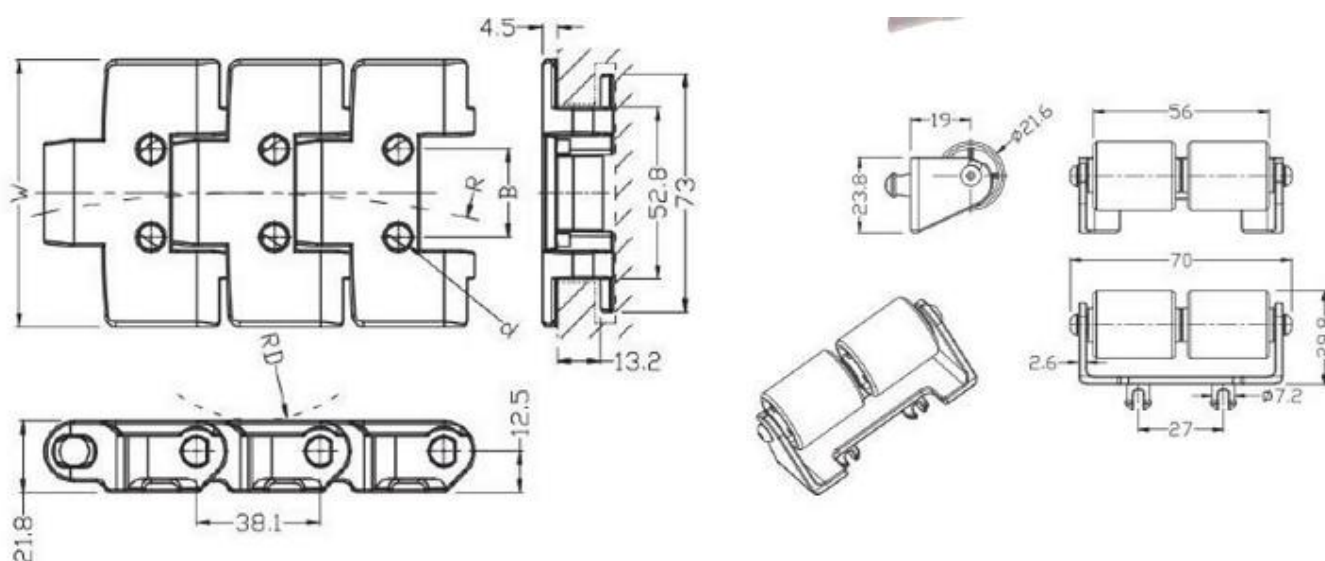


# 880TAB Sideflex chains

- It is used for all kinds of cartons, box sideflex and straight running conveyor
- Material: POM. Work temperature: -30°C to 90 °C
- Pin mat.: Stainless steel
- Color: coffee
- Weight: (POM) 1.52kg/m
- Working load (25°C) 2100
- The roller is easy to assemble and disassemble.



sprocket ref. P37-38



parts ref. P306-332



curve track ref. P333



wear strip ref. P355-359



chain guide ref. P343-354

Code	Width (mm)	Weight (Kg/m)	Backflex radius	Sideflex radius
880TAB-K325-G	82.6	1.52	40	350

