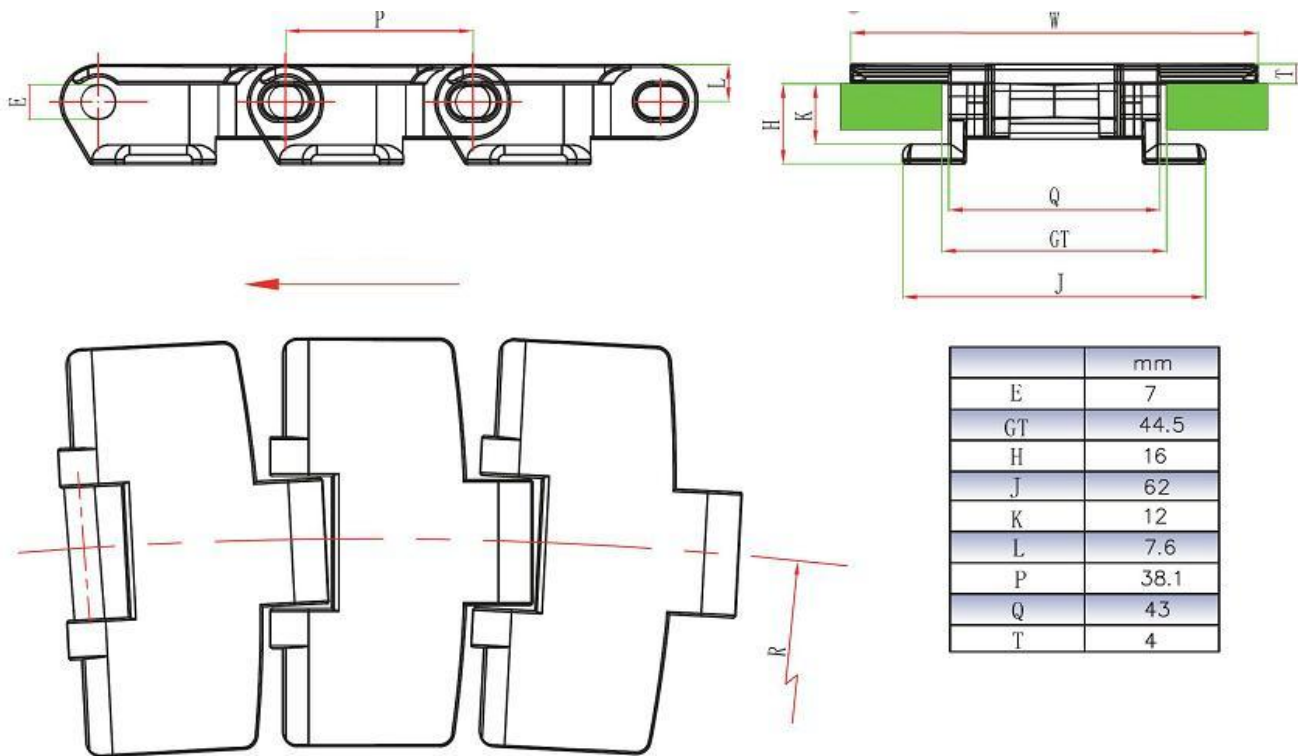


880TAB Sideflex chains



- Main application: food and beverage industry such as transportation of bottles, cans etc.
- Material: Chain Mat: POM, Pin Mat: Stainless Steel.
- Color: Brown.
- Temperature: $-40^{\circ}\text{C} \sim +90^{\circ}\text{C}$.
- Maximum Speed: lubrication 80m/min; Dry 50m/min.
- Working Load: (25°C)1230N, Maximum length 12m.



sprocket ref. P37-38



parts ref. P306-332



curve track ref. P333



wear strip ref. P355-359

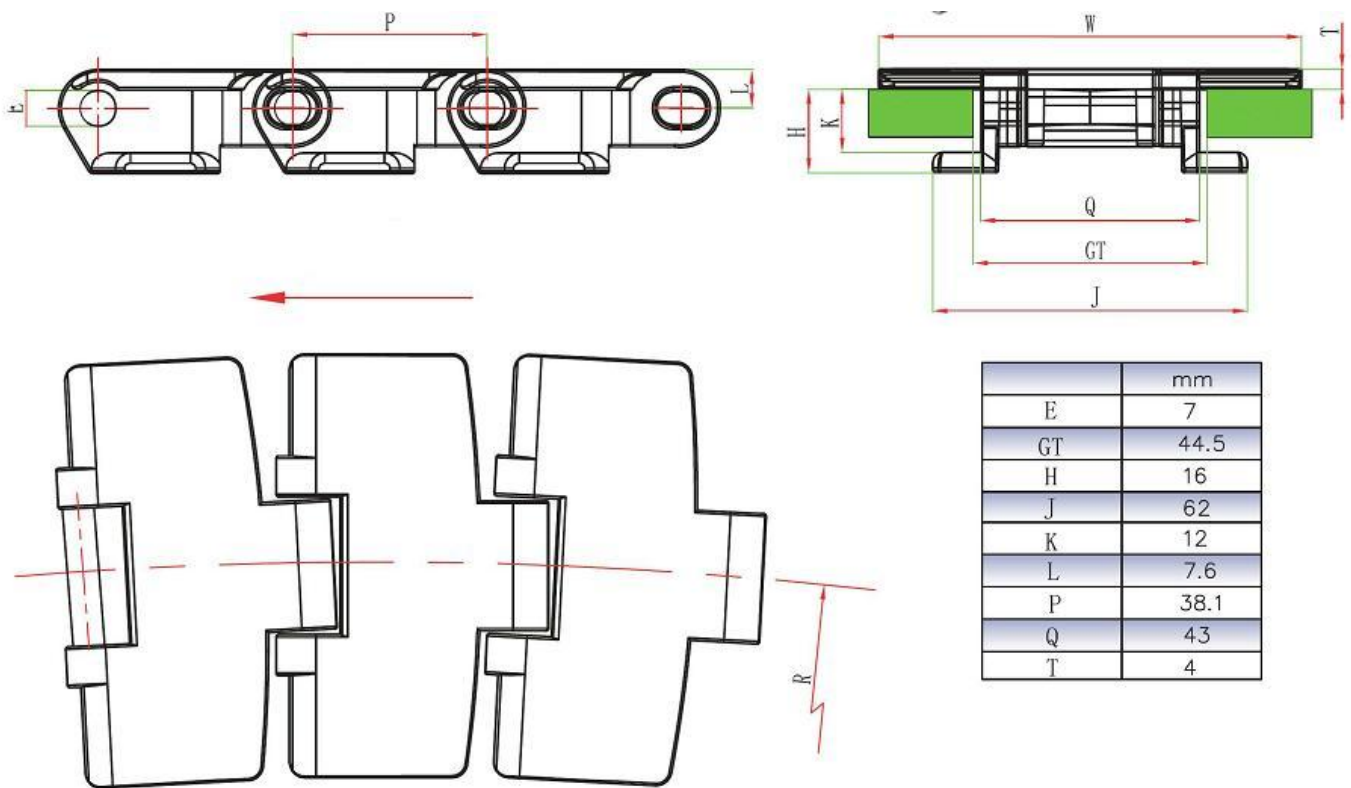


chain guide ref. P343-354

Code	Width (mm)	Weight (Kg/m)	Backflex radius	Sideflex radius
880TAB-K325 (P13S)	82.6	1.04	75	500
880TAB-K450 (P18S)	114.3	1.3	75	500

880TAB Anti-static Sideflex Chains

- Main application: Anti-static production conveyor
- Material: anti-static POM, resistivity $10^5/10^7/10^9$
- color: black
- Work temperature: -30°C to 90°
- Pin: stainless steel
- Max speed 50m/min lubrication, 30m/min dry
- Working load (25°C) 2100N, Max.length 12m



sprocket ref. P37-38



parts ref. P306-332



curve track ref. P333



wear strip ref. P355-359

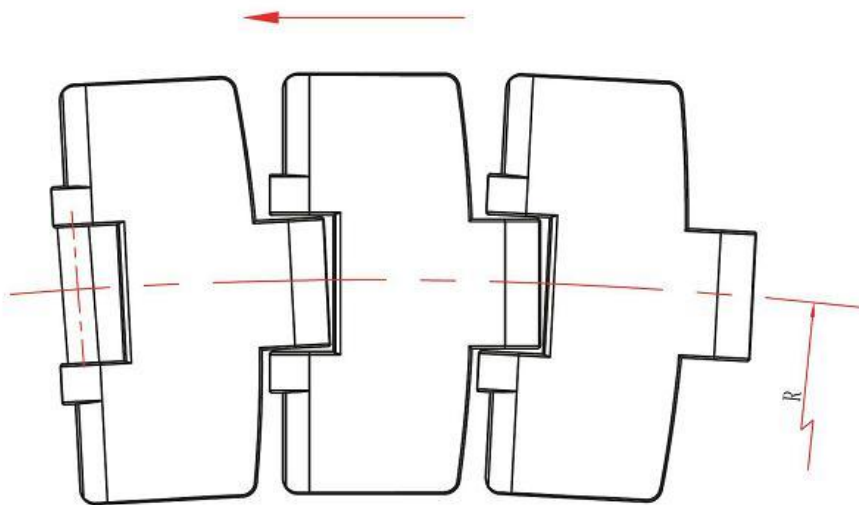
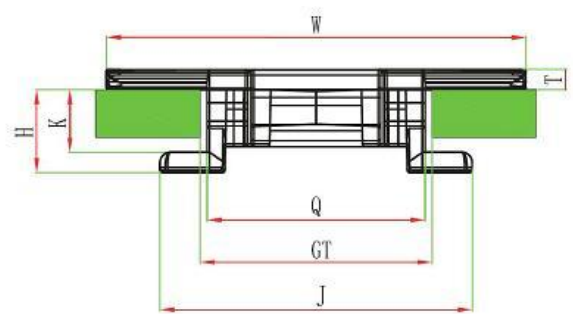
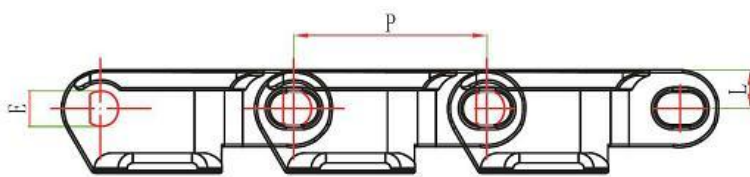


chain guide ref. P343-354

Code	Width (mm)	Weight (Kg/m)	Backflex radius	Sideflex radius
880TAB-K325 (P13S)	82.6	1.04	75	500
880TAB-K450 (P18S)	114.3	1.3	75	500

880 Sideflex chains with flat pins

- Main application: food and beverage industry , such as transportation of bottles,cans etc.
- Material: POM. Work temperature:-30°C to 90 °C
- Pin mat.: Stainless steel
- Max speed: 50m/min lubrication 30m/min dry
- Working load (25°C) 2100N,Max.length 9m



	mm
E	7
GT	44.5
H	16
J	62
K	12
L	7.6
P	38.1
Q	43
T	4



sprocket ref. P37-38



parts ref. P306-332



curve track ref. P333



wear strip ref. P355-359

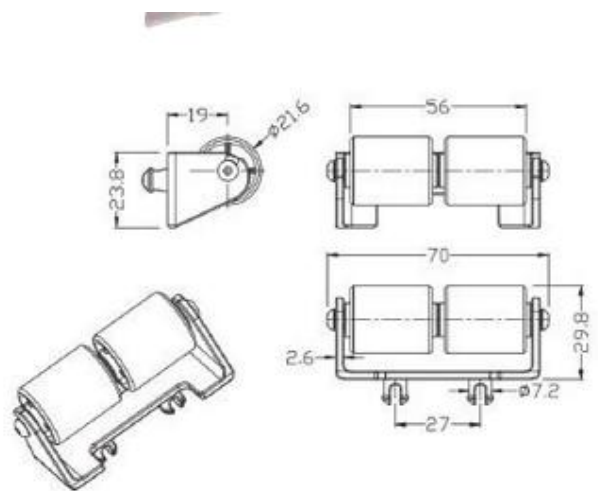
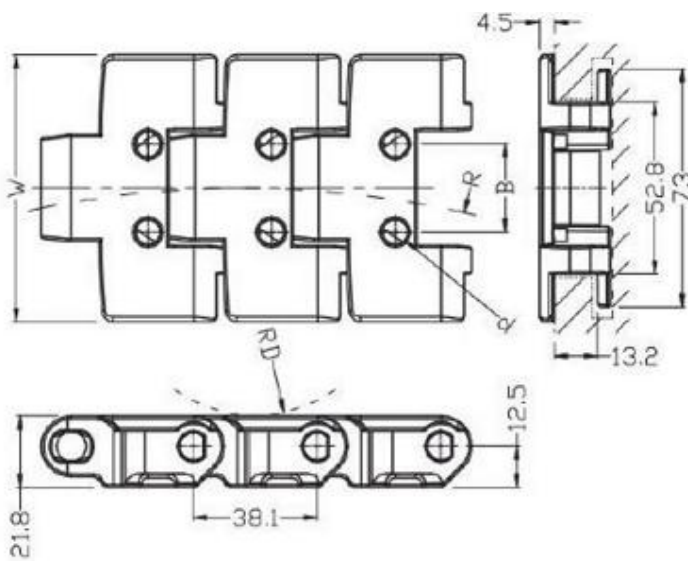


chain guide ref. P343-354

Code	Width (mm)	Weight (Kg/m)	Backflex radius	Sideflex radius
880TAB-K325B	82.6	1.15	75	500

880TAB Sideflex chains

- It is used for all kinds of cartons, box sideflex and straight running conveyor
- Material: POM. Work temperature: -30°C to 90 °C
- Pin mat.: Stainless steel
- Color: coffee
- Weight: (POM) 1.52kg/m
- Working load (25°C) 2100
- The roller is easy to assemble and disassemble.



sprocket ref. P37-38



parts ref. P306-332



curve track ref. P333

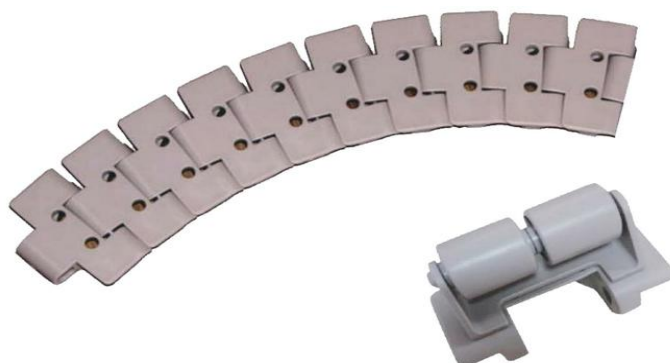


wear strip ref. P355-359



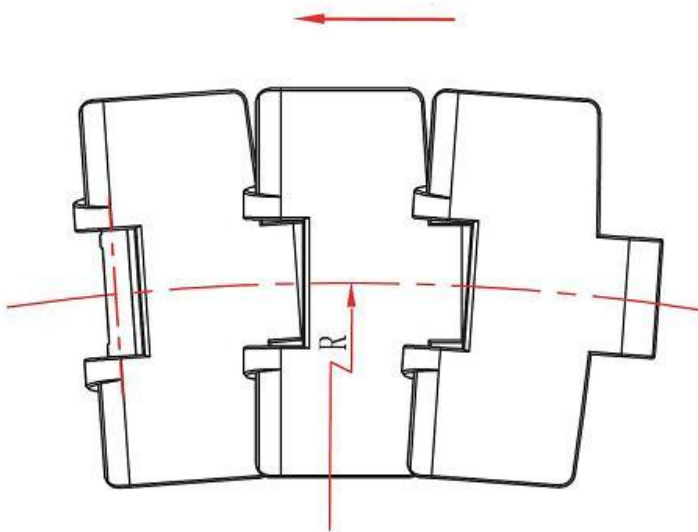
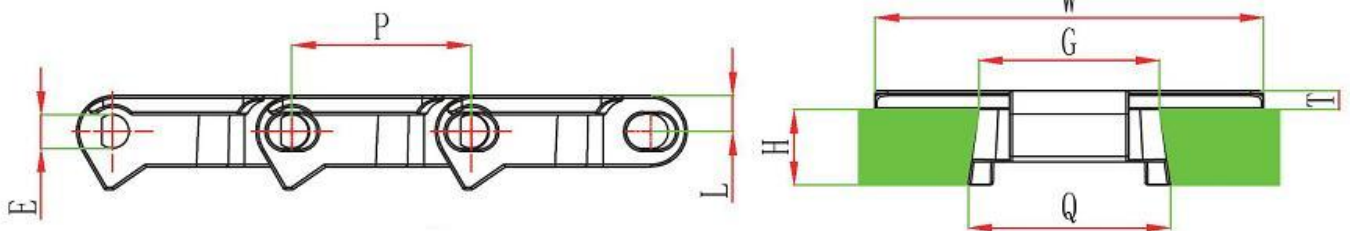
chain guide ref. P343-354

Code	Width (mm)	Weight (Kg/m)	Backflex radius	Sideflex radius
880TAB-K325-G	82.6	1.52	40	350



880 Bevel type Sideflex chains with flat pin

- Main application: food and beverage industry, such as transportation of bottles, cans etc.
- Material: POM. Work temperature: -30°C to 90 °C
- Pin mat.: Stainless steel
- Max speed: 50m/min lubrication 30m/min dry
- Working load (25°C) 2100N, Max.length 9m



	mm
E	7
H	16
L	7.55
P	38.1
Q	43
T	4



sprocket ref. P37-38



parts ref. P306-332



curve track ref. P335



wear strip ref. P355-359

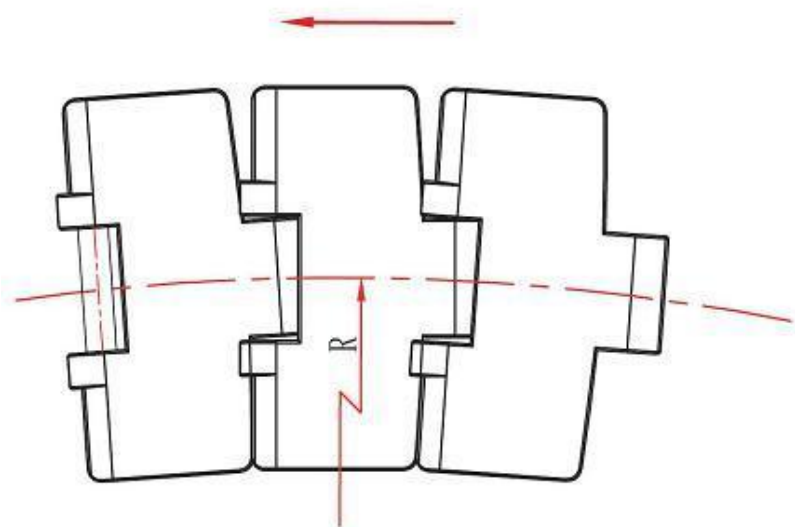
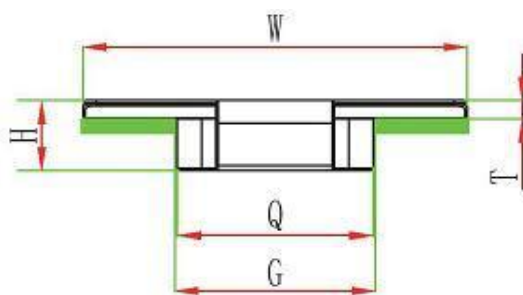
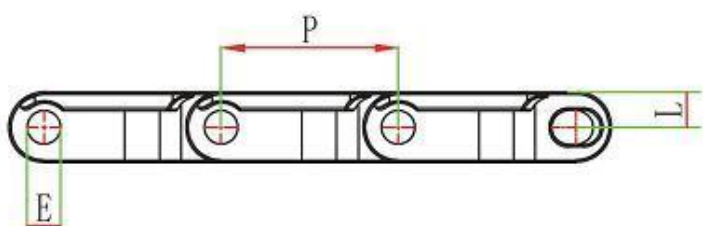


chain guide ref. P343-354

Code	Width (mm)	Weight (Kg/m)	Backflex radius	Sideflex radius
880-K325 (L13B)	82.6	0.89	75	500
880-K450 (L18B)	114.3	1.04	75	610

880M Magnetic sideflex chains

- Main application: food and beverage industry , such as transportation of bottles,cans etc.
- Material: POM. Work temperature:-30°C to 90 °C
- Pin mat.:Carbon steel
- Max speed 50m/min lubrication 30m/min dry
- Working load (25°C) 2100N,Max.length 9m



	mm
E	7
G	45
H	15.1
L	7.55
P	38.1
Q	42
T	4



sprocket ref. P37-38



parts ref. P306-332



curve track ref. P336



wear strip ref. P355-359

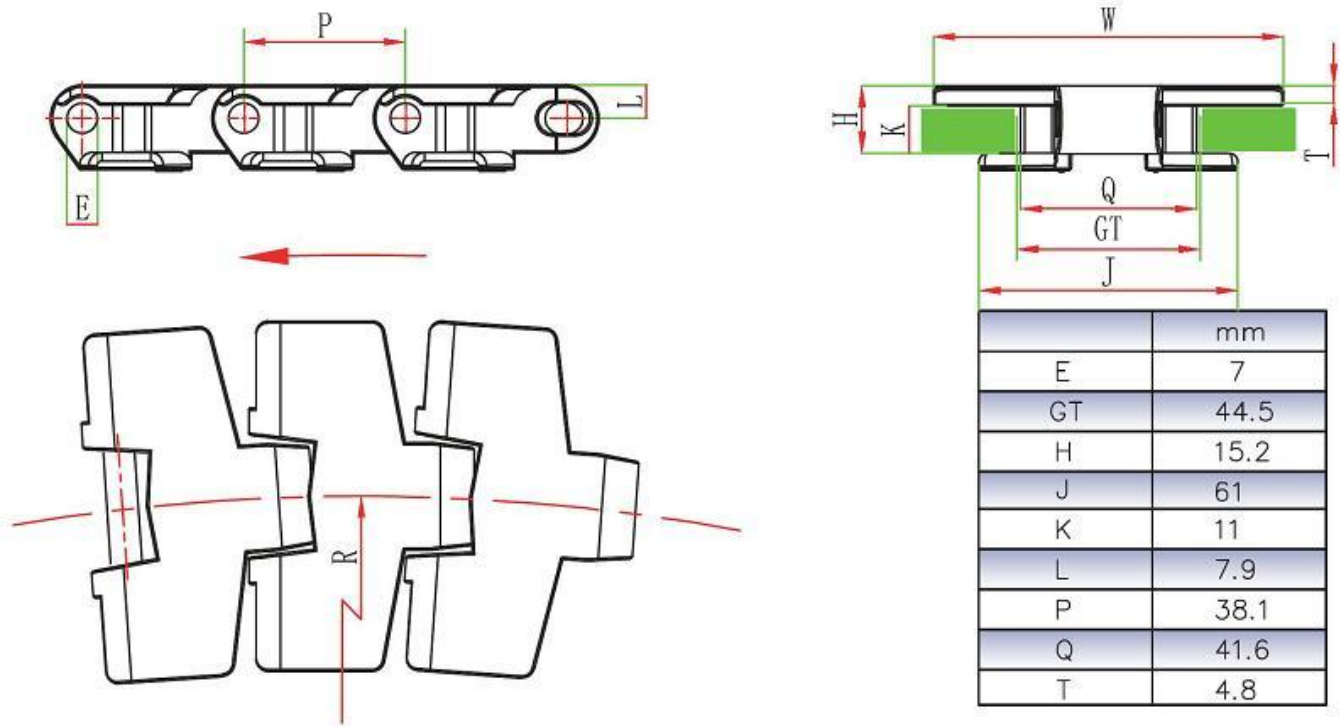


chain guide ref. P343-354

Code	Width (mm)	Weight (Kg/m)	Backflex radius	Sideflex radius
880M-K325 (P13L)	82.6	1.03	75	500

880TAB-RT Sideflex chains with small radius

- Main application: transportation for light load conveyor such as transportation of bottles, cans etc.
- Material: POM. Work temperature: -30°C to 90 °C
- Pin mat.: Stainless steel
- Max speed: 50m/min lubrication 30m/min dry
- Working load (25°C) 2100N, Max.length 12m



sprocket ref. P37-38



parts ref. P306-332



curve track ref. P337



wear strip ref. P355-359



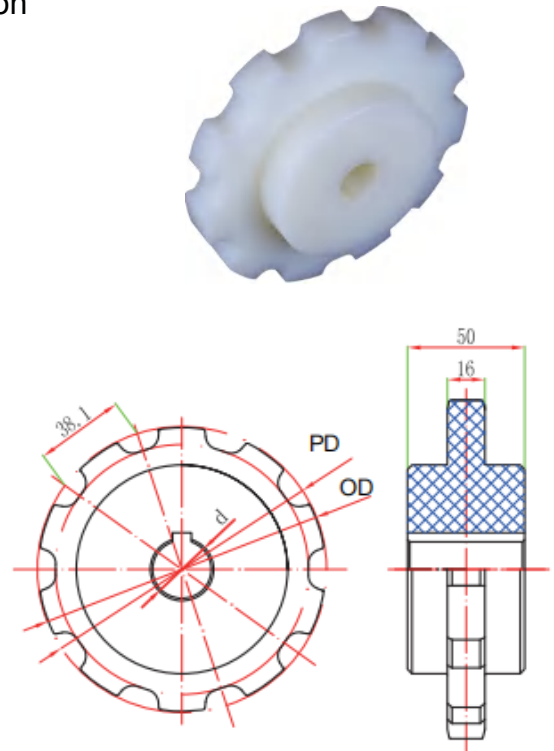
chain guide ref. P343-354

Code	Width (mm)	Weight (Kg/m)	Backflex radius	Sideflex radius
880TAB-RT-K325	82.6	1.05	75	200
880TAB-RT-K450	114.3	1.15	75	200

880 Sprockets

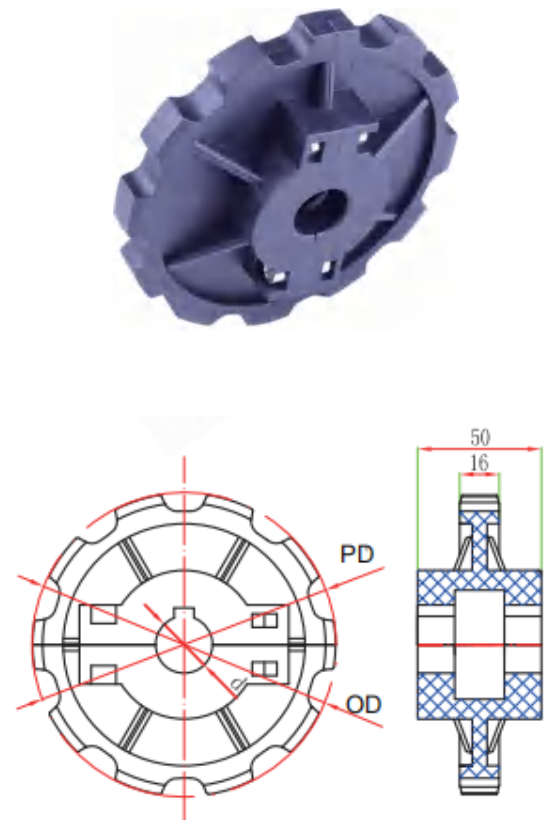
- Material.Polyamide PA6, Machined, high precision, matching well
- Bore tolerance : $D^{+0.08}_{+0.02}$
- Good strength, can be used in heavy load transportation

Code	Teeth No	PD (mm)	OD (mm)	Bore (mm)
1-880-10-20	10	123.3	122.4	20
1-880-10-25				25
1-880-10-30				30
1-880-10-35				35
1-880-10-40				40
1-880-11-20	11	135.2	134.9	20
1-880-11-25				25
1-880-11-30				30
1-880-11-35				35
1-880-11-40				40
1-880-12-20	12	147.2	147.3	20
1-880-12-25				25
1-880-12-30				30
1-880-12-35				35
1-880-12-40				40



- Material: Reinforced PA, Plastic Moulding
- Bore tolerance : $D^{+0.2}_{+0.1}$

Code	Teeth No	PD (mm)	OD (mm)	Bore (mm)
3-880-10-20	10	123.3	122.4	20
3-880-10-25				25
3-880-10-30				30
3-880-10-35				35
3-880-10-40				40
3-880-11-20	11	135.2	134.9	20
3-880-11-25				25
3-880-11-30				30
3-880-11-35				35
3-880-11-40				40
3-880-12-20	12	147.2	147.3	20
3-880-12-25				25
3-880-12-30				30
3-880-12-35				35
3-880-12-40				40



880 Series idler with bearings

- Polyamide PA6, Machined, high precision, matching well
- Good strength, can be used in light load transport
- It can be used for 880 series idler with bearings
- The shape and thickness should be machined by Lilai standard
- D1 means bearing outer diameter, Tolerance from $-0.05 \sim 0$,
- D2 means bearing inner diameter,
- B means bearing thickness, Tolerance from $0 \sim +0.1$;



Model: Process method - Code - Teeth - D2 - Bearing No.

Example: 2 - 880 - 10 - 25 - 6005

Purchase No. - - - -

① Standard bearing technical parameter

Bearing NO.	D1	D2	B	d
6003	35	17	10	30
6004	42	20	12	35
6005	47	25	12	40
6205	52	25	15	45
6006	55	30	13	45
6007	62	35	14	50

② standard 880TAB idler:

Teeth	Outer diameter	diameter A
9	110.54	70
10	122.4	80
11	134.9	80
12	147	90
13	158.9	100

