

B-4 modular belt

- Application: mainly used for meat processing line, and other food conveying and packing line;
- Material: PP. Work temperature: +1°C to 98°C, can be used in acid proof area;
- Color: White, blue;
- Work load: (PP) 8800N/M;
- Weight: (PP) 7.84kgs/m²;
- Open area: 20%.



sprocket P250



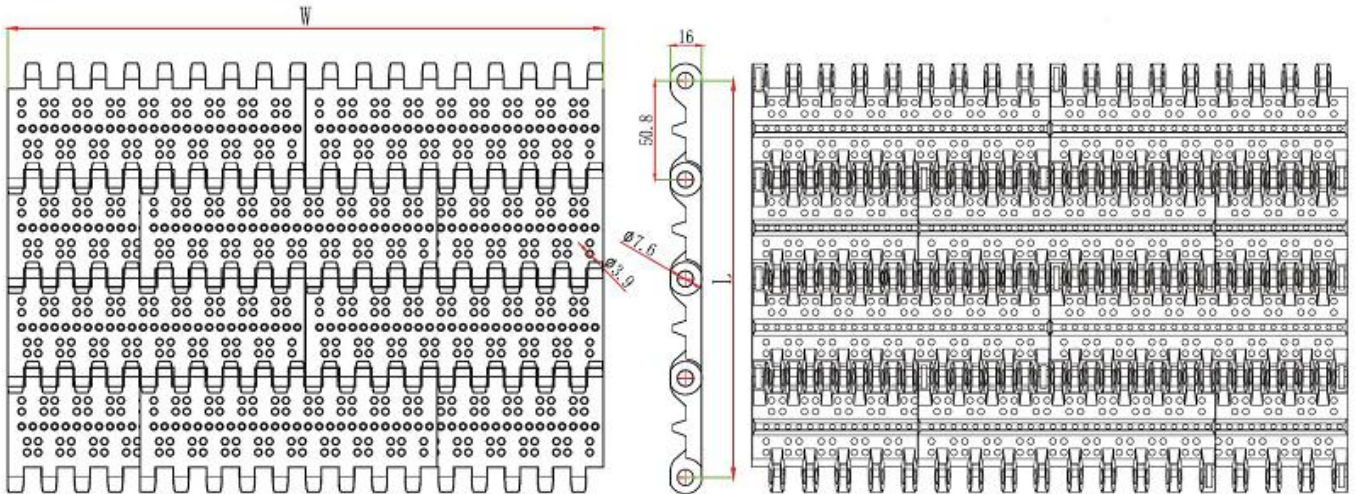
parts P306-332



wear strip P355-359



chain guide P343-354



Standard Width: $W=152.4*N$

Non-standard Width: $W=152.4*N+16.9*n$

W mm	152.4	304.8	457.2	609.6	762	914.4	1066.8	1219.2	1371.6	1524	152.4*N
------	-------	-------	-------	-------	-----	-------	--------	--------	--------	------	---------

Remarks: N, n is the multiples of integers, when design or purchase the belt, please contact the sales first to confirm the actual width.