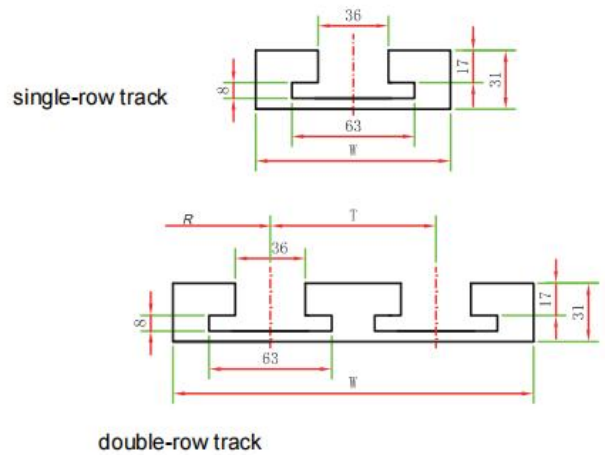
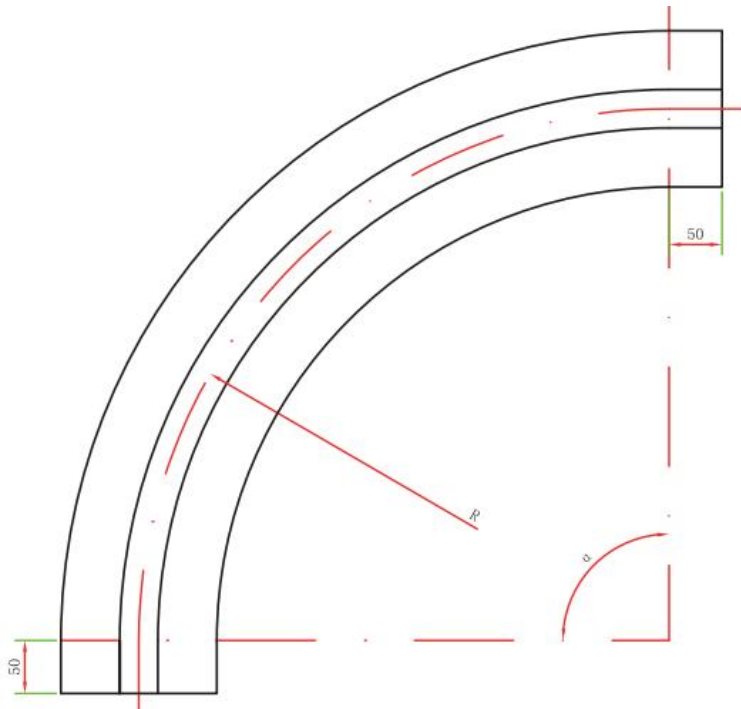


Curved Track for 1873 Series

Material: UHMW-PE, color: black;
 Work temperature: -30°C~+90°C;
 Radian: 15°~90 °;



Code Identification: Chain Code+Center Radius+Width+ Number of rows

Item	Code	Min Radius	Width	T
1873-K325 single-row	1873-K325-R400-100-1	400	100	
1873-K325 double-row	1873-K325-R400-185-2	400	185	85
1873-K450 single-row	1873-K450-R400-130-1	400	130	
1873-K450 double-row	1873-K450-R400-250-2	400	250	120
1873-K600 single-row	1873-K600-R500-160-1	500	160	
1873-K600 double-row	1873-K600-R500-320-2	500	320	160
1873-K750 single-row	1873-K750-R500-200-1	500	200	
1873-K750 double-row	1873-K750-R500-400-2	500	400	200
1873-K1000 single-row	1873-K1000-R500-260-1	500	260	
1873-K1000 double-row	1873-K1000-R500-520-2	500	520	260
1873-K1200 single-row	1873-K1200-R500-310-1	500	310	
1873-K1200 double-row	1873-K1200-R500-620-2	500	620	310
1873-K2000 single-row	1873-K2000-R610-520-1	610	520	