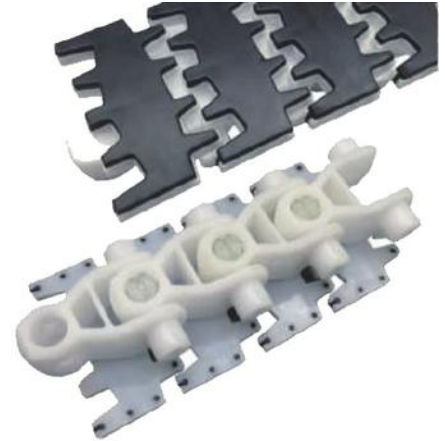
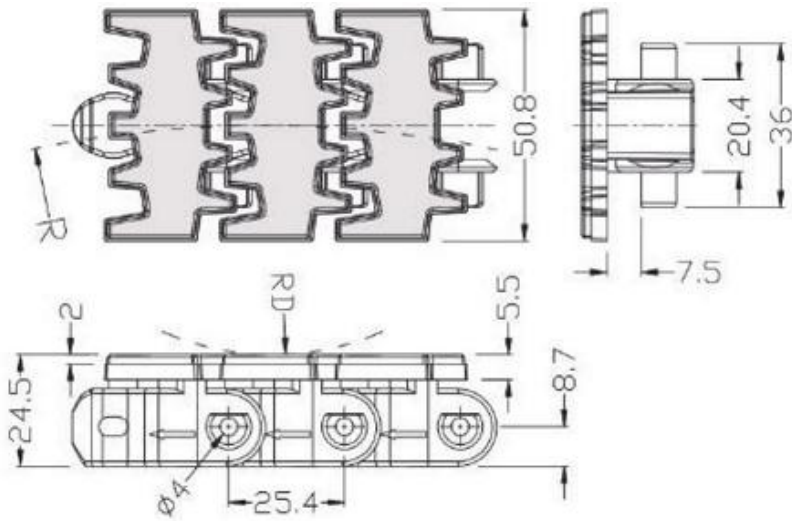


## HF50.8-C flexible chain with rubber top

- For inclined conveyor
- Material.: POM+Rubber . Work temperature:-30°C to 80 °C
- Pin mat.: Stainless steel



sprocket ref. P60



parts ref. P306-332



wear strip ref. P355-359



chain guide ref. P343-354

Code	Width (mm)	Weight(kg/m)	Back curve radius	Side flex radius
HF50.8-C	50.8	0.65	110	150