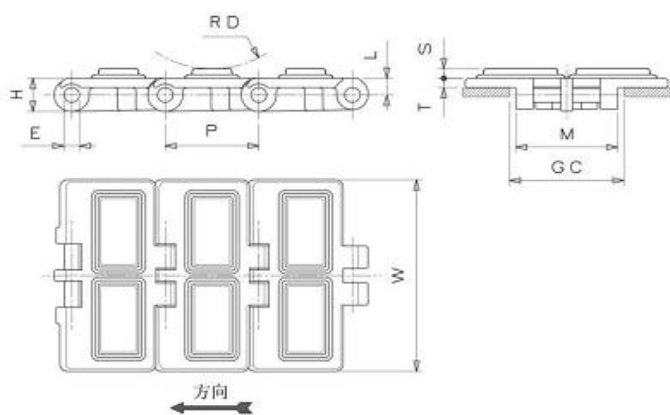
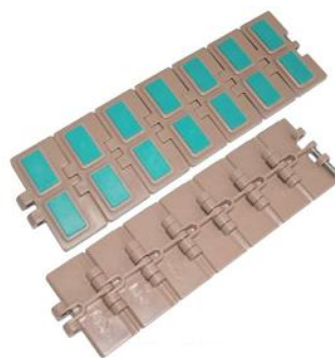
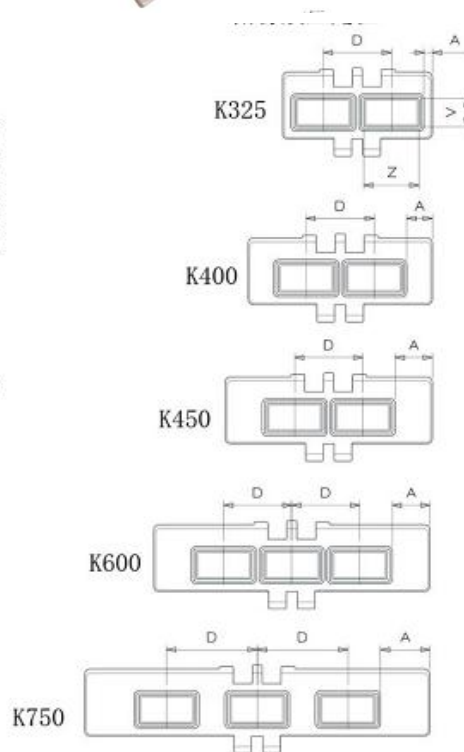


HF820 Single hinge Chain with rubber top

- Main application: transportation of cartons) cans etc
- Material: POM. Work temperature:-30°C to 90 °C
- Pin mat.: Stainless steel



尺寸	mm
P	38,1
M	41,5
L	7,2
H	13,3
E	6,3
T	4
S	3,6
V	16
Z	30
RD	40
GC	44,5



sprocket ref. P22-24



parts ref. P306-332



wear strip ref. P355-359



chain guide ref. P343-354

Code	Width(mm)	Weight(kg/m)	Distance D(mm)	Position A (mm)	material
HF820-K325	82.6	0.96	39.5	3.5	POM+TPE
HF820-K400	101.6	1.09	39.5	13.0	POM+TPE
HF820-K450	114.3	1.14	39.5	19.4	POM+TPE
HF820-K600	152.4	1.40	39.5	18.7	POM+TPE
HF820-K750	190.5	1.64	50	27.2	POM+TPE