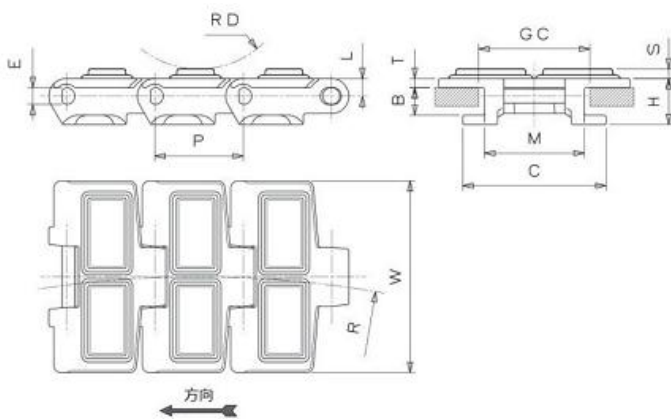


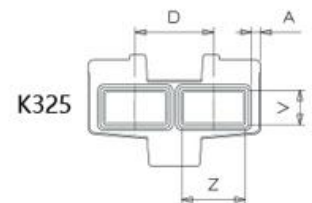
HF880TAB Side flex chain with rubber top

- Main application: transportation of cartons, cans etc
- Material: POM. Work temperature: -30°C to 90 °C
- Pin mat.: Stainless steel

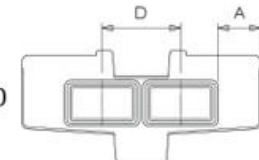


尺寸	mm
P	38,1
M	43
C	62
L	7,6
H	20
E	7
B	12
T	4
S	3,6
V	16
Z	30
RD	40
GC	44,5

附橡胶垫定位



K450



sprocket ref. P37-38



parts ref. P306-332



wear strip ref. P355-359



chain guide ref. P343-354

Code	Width(mm)	Weight(kg/m)	Distance D(mm)	Position A (mm)	Sideflex Radius	material
HF880TAB-K325	82.6	1.18	39.5	3.5	500	POM+TPE
HF880TAB-K450	114.3	1.44	39.5	19.4	500	POM+TPE