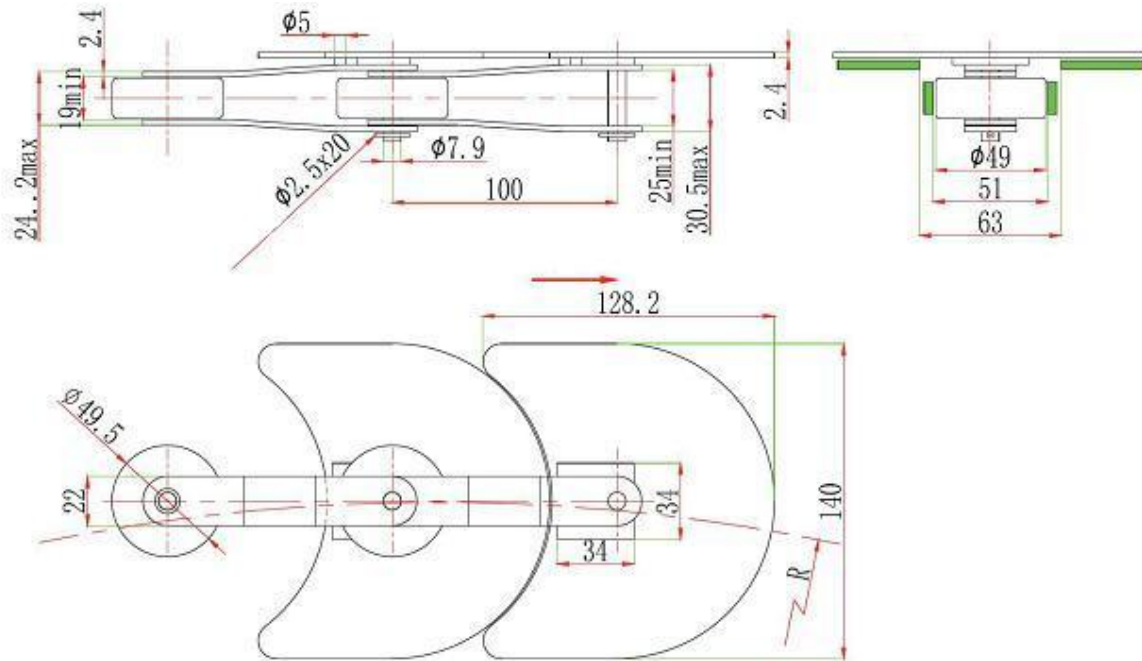


Stainless steel sushi chain



- Main application is for food processing, assembly line and for transportation of 360° conveying;
- Material: ss304;
- Working load(25°): 3000N, max conveying length: 15m
- Max speed: 30m/min with lubrication; 20m/min dry
- 10 pcs per meter;



sprocket



parts P306-332



wear strip P355-359



chain guide P343-354

Code	Width mm	Weight kg/m	Sideflex radius
SB-100-k550	140	4.37	250

