

# T-1000A modular belt with roller



- Application: with the unique roller on the modular belt, it can be used in all kinds of conveying.
- Modular belt and roller raw material: POM
- Work temperature: -30°C ~ +90 °C;
- Pin raw material: PP
- Work load: 17280N/M
- Belt color: dark green, roller color: yellow



sprocket P147-149



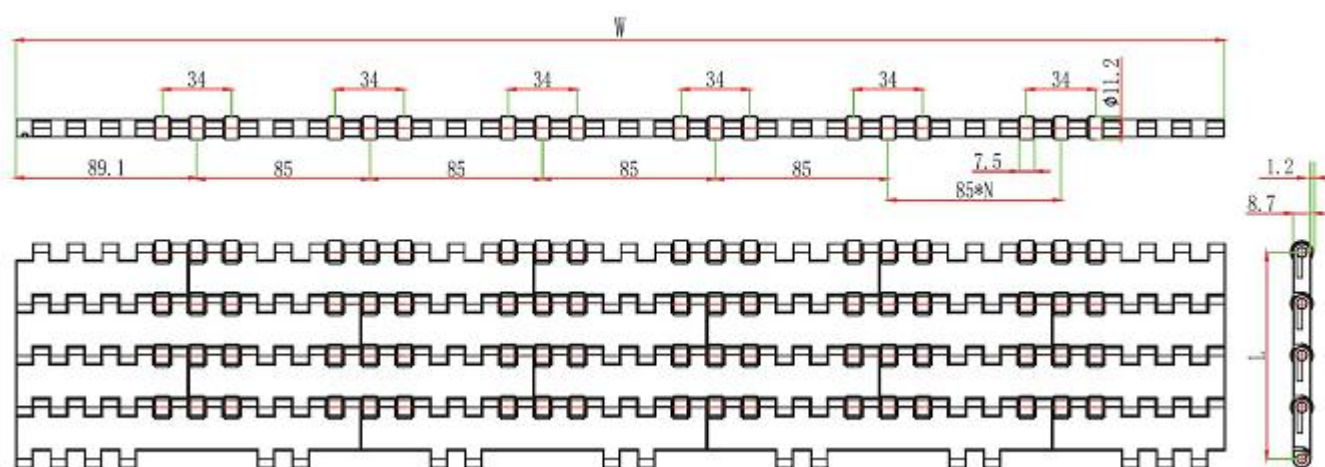
parts P306-332



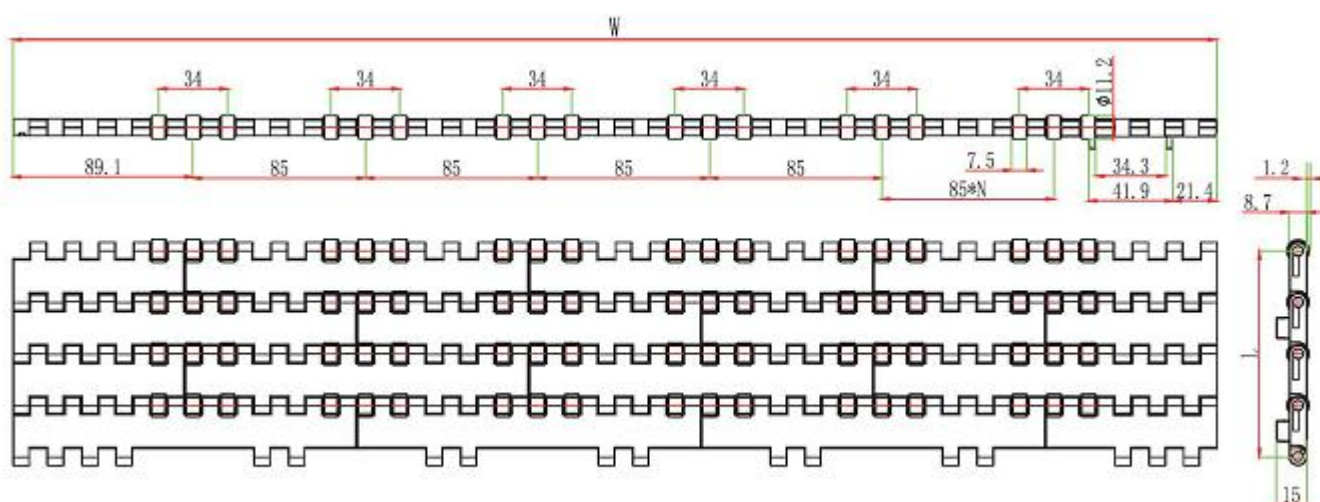
wear strip P355-359



chain guide P343-354



# T-1000AYJ Modular belt with positrack



**Standard width: W=85+85\*N**

mm	170	255	340	425	510	595	680	765	850	85N
----	-----	-----	-----	-----	-----	-----	-----	-----	-----	-----