

# T-1500 Modular belt

- Main Application :All kinds of glass bottles and packaging machine;
- Material: POM. Work temperature: -40°C ~ +90 °C;
- Pin Material: PBT , Roller Material: Stainless Steel;
- Work Load: 28000N/M;
- Color of Belts/ roller : Dark Green;
- Weight: 30.5kg/sq;



sprocket P158



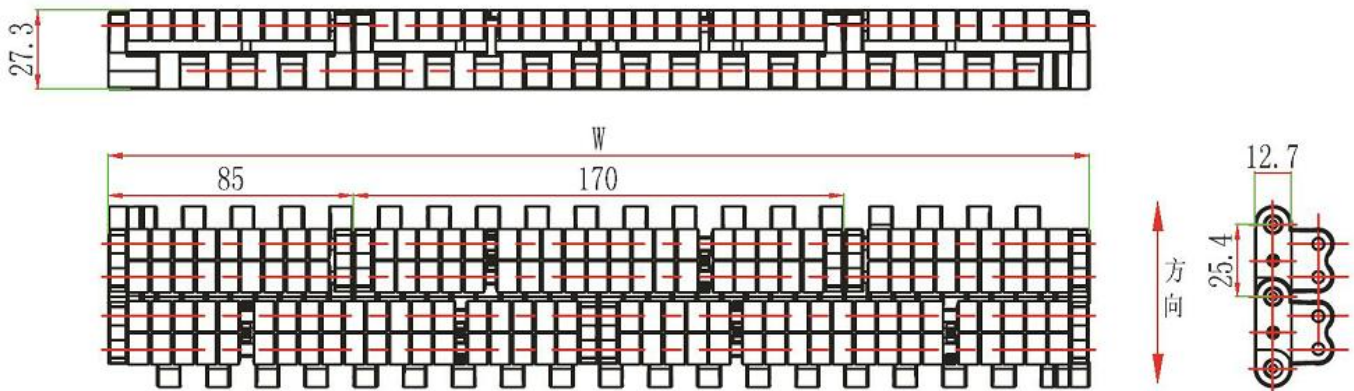
parts P306-332



wear strip P355-359



chain guide P343-354



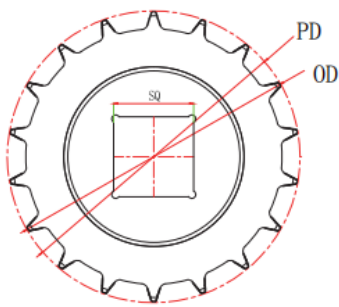
**Standard Width:  $W=255 + 85 \cdot N$**

W (mm)	255	340	425	510	595	680	765	850	$255+85 \cdot N$

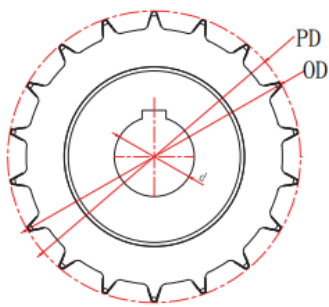
Remarks: N, n is the multiples of integers, when design or purchase the belt, please contact the sales first to confirm the actual width.

# T-1500 Sprocket

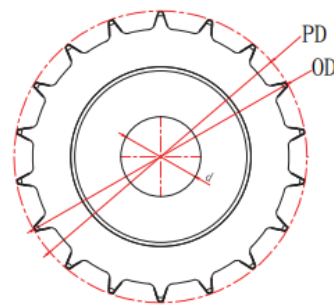
Raw material: nylon PA6  
Machined processed



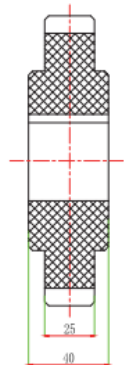
Square bore



Round bore with keyway



Round bore  
w/o keyway



Teeth	Pitch diameter (mm)	Outer diameter (mm)	Bore size (mm)	Sprocket model		
				Square bore	Round bore	
					with keyway	w/o keyway
16	130.2	129.3	25		1-T-1500-16-25	2-T-1500-16-25
			30		1-T-1500-16-30	2-T-1500-16-30
			35		1-1-1500-16-35	2-1-1500-16-35
			40	1-T-1500-16-40X40	1-T-1500-16-40	2-T-1500-16-40
18	146.3	145.3	25		1-T-1500-18-25	2-1-1500-18-25
			30		1-T-1500-18-30	2-T-1500-18-30
			35		1-1-1500-18-35	2-1-1500-18-35
			40	1-T-1500-18-40X40	1-T-1500-18-40	2-T-1500-18-40
21	170.4	169.7	25		1-T-1500-21-25	2-1-1500-21-25
			30		1-T-1500-21-30	2-T-1500-21-30
			35		1-T-1500-21-35	2-T-1500-21-35
			40	1-T-1500-21-40X40	1-T-1500-21-40	2-T-1500-21-40

Remarks: if the bore size below 40mm, and the outer diameter above 120mm, can processed to split sprocket.