

# T-2400 Modular belt

- The versatile roller can be turning 360 degree ,most application is for sorting packaging conveyor
- Material: POM Work temperature: -30°C ~ +80 °C
- Pin material: PP
- Roller material: POM/SS304
- Load: POM 16000N/M
- Color:coffee/white
- Weight 9.2kg/m<sup>2</sup> for POM Roller



sprocket P171



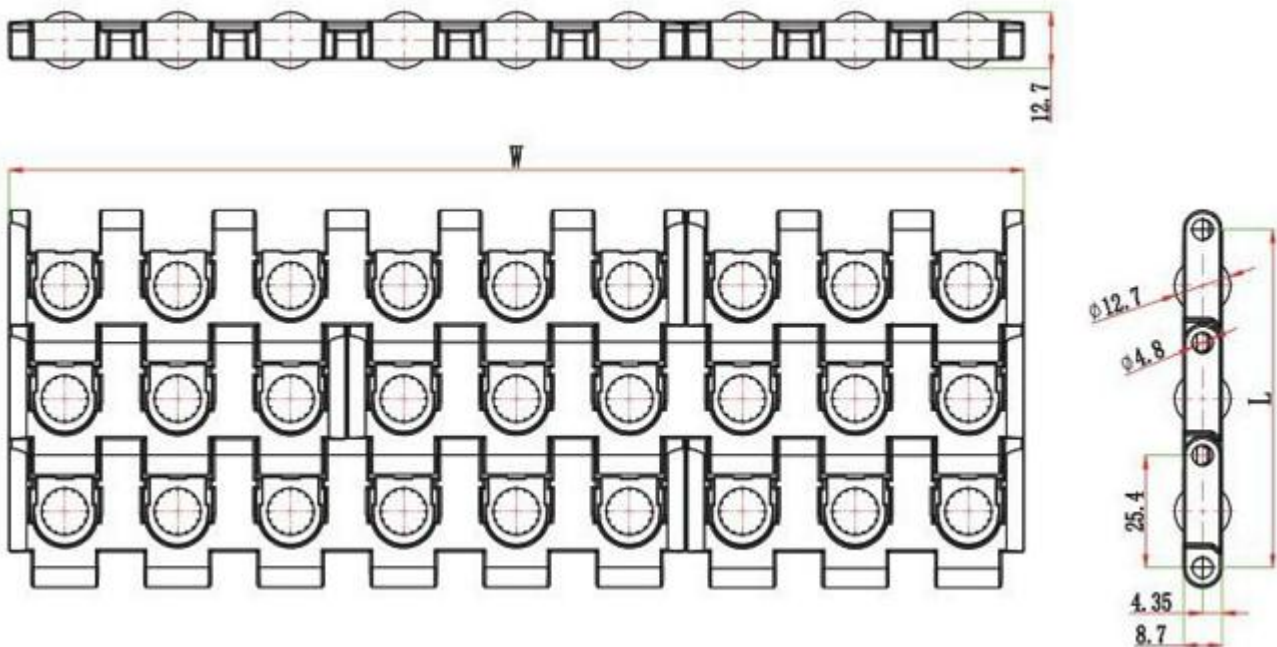
parts P306-332



wear strip P355-359



chain guide P343-354



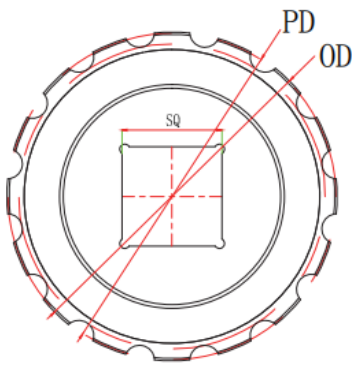
**Standard Width:  $W=76.2*N$**

W (mm)	76.2	152.4	228.6	304.8	381	457.2	533.4	76.2*N
--------	------	-------	-------	-------	-----	-------	-------	--------

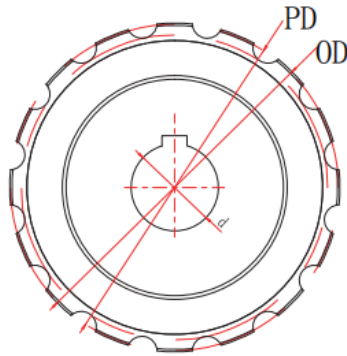
Remarks: N, n is the multiples of integers, when design or purchase the belt, please contact the sales first to confirm the actual width.

# T-2400 Sprocket

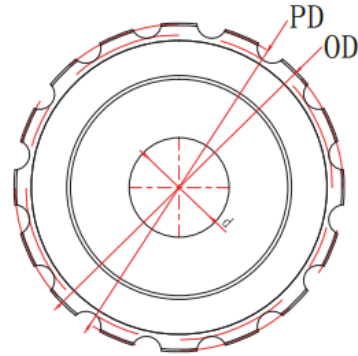
Raw material: Nylon PA6



Square bore



Round bore with keyway



Round bore w/o keyway



Teeth	Pitch diameter r(mm)	Outer diameter r(mm)	Bore size (mm)	Sprocket model		
				Square bore	Round bore	
					with keyway	w/o keyway
8	66.9	68.4	20	1-T-2400-8-20	2-T-2400-8-20	
			30	1-T-2400-8-30	2-T-2400-8-30	
10	82.84	84.2	25	1-T-2400-10-25	2-T-2400-10-25	
			40	1-T-2400-10-40	2-T-2400-10-40	
12	98.81	100.1	25	1-T-2400-12-25	2-T-2400-12-25	
			30	1-T-2400-12-30	2-T-2400-12-30	
			40	1-T-2400-12-40	2-T-2400-12-40	
16	131.22	132.3	30	1-T-2400-16-30	2-T-2400-16-30	
			40	1-T-2400-16-40X40	1-T-2400-16-40	2-T-2400-16-40
			50	1-T-2400-16-50	2-T-2400-16-50	
18	147.42	148.4	30	1-T-2400-18-30	2-T-2400-18-30	
			40	1-T-2400-18-40X40	1-T-2400-18-40	2-T-2400-18-40
			50	1-T-2400-18-50	2-T-2400-18-50	
20	163.65	164.6	35	1-T-2400-20-35	2-T-2400-20-35	
			40	1-T-2400-20-40X40	1-T-2400-20-40	2-T-2400-20-40
			60	1-T-2400-20-60	2-T-2400-20-60	

Remarks: if the bore size below 40mm, and the outer diameter above 120mm, can processed to split sprocket.