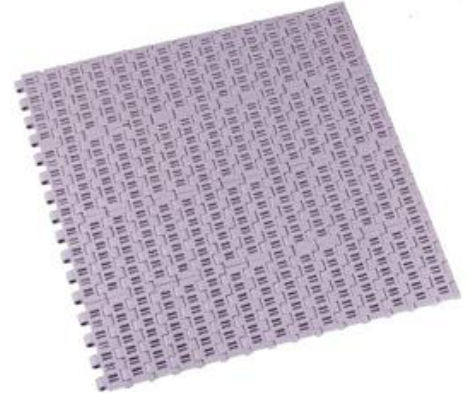


# T-300 Modular belt

- Main application: food, beverage, pharmacy, chemical, mold parts and packaging machine conveyor
- Material: POM/PP.
- Work temperature: -30°C ~ +90 °C
- Pin Material: PP
- Load: POM 10500N/M
- Color: coffee or blue
- Open area: 16%
- Weight: POM 5.96kg/m<sup>2</sup>



sprocket P117-119



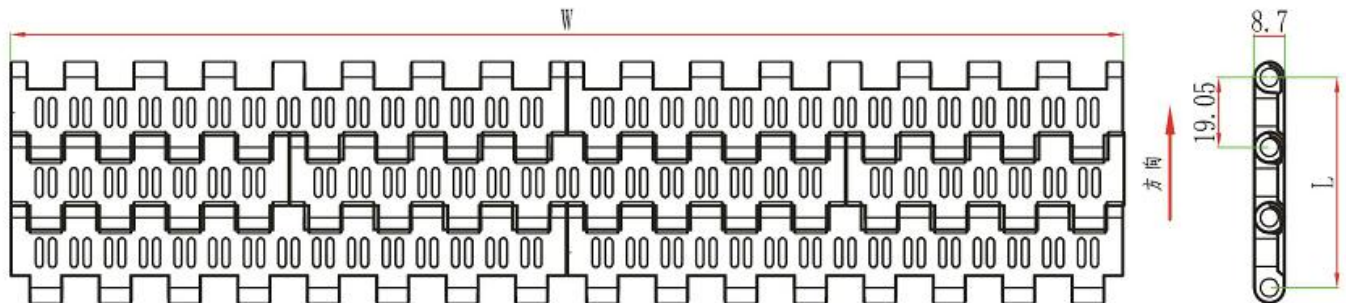
parts P306-332



wear strip P355-359



chain guide P343-354



**Standard Width:  $W=76.2*N$**

**Non-Standard Width:  $W=76.2*N+19*n$**

W (mm)	76.2	152.4	228.6	304.8	381	457.2	533.4	609.6	685.8	76.2*N
--------	------	-------	-------	-------	-----	-------	-------	-------	-------	--------

Remarks: N, n is the multiples of integers, when design or purchase the belt, please contact the sales first to confirm the actual width.

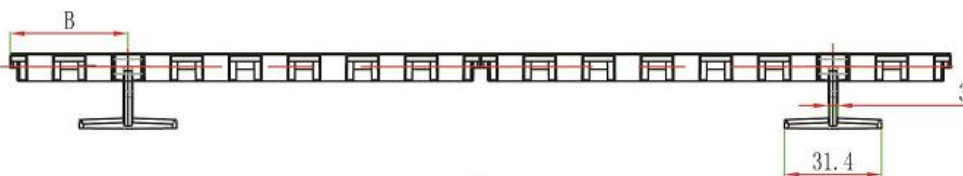
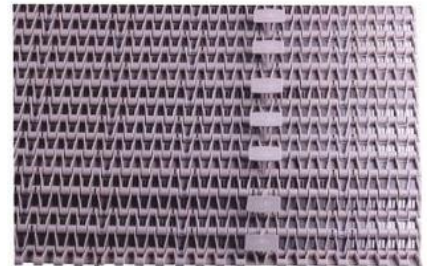
## T-300 Modular belt with flight

- It is suitable for all kinds of food industry, and other packaging line conveyors.
- The flight standard height: 20, 25, 30, 35, 40, 50, 75mm

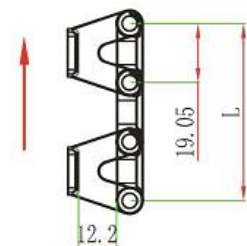
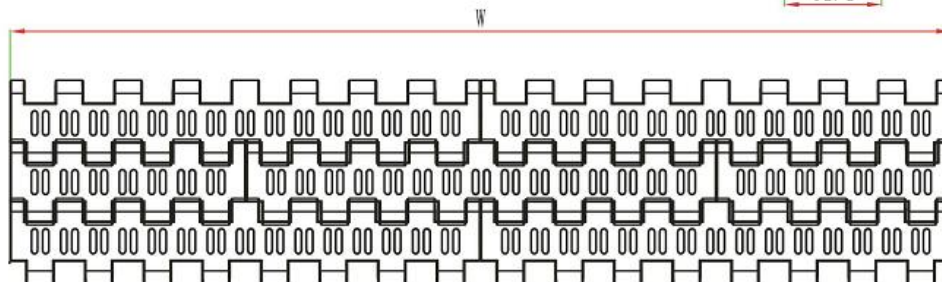


## T-300 modular belt with positrack

- It is suitable for all kinds of food industry, and other packaging line conveyors.
- Exactly position by positrack
- The positrack and belt side distance:  $B=38.1+9.5*n$

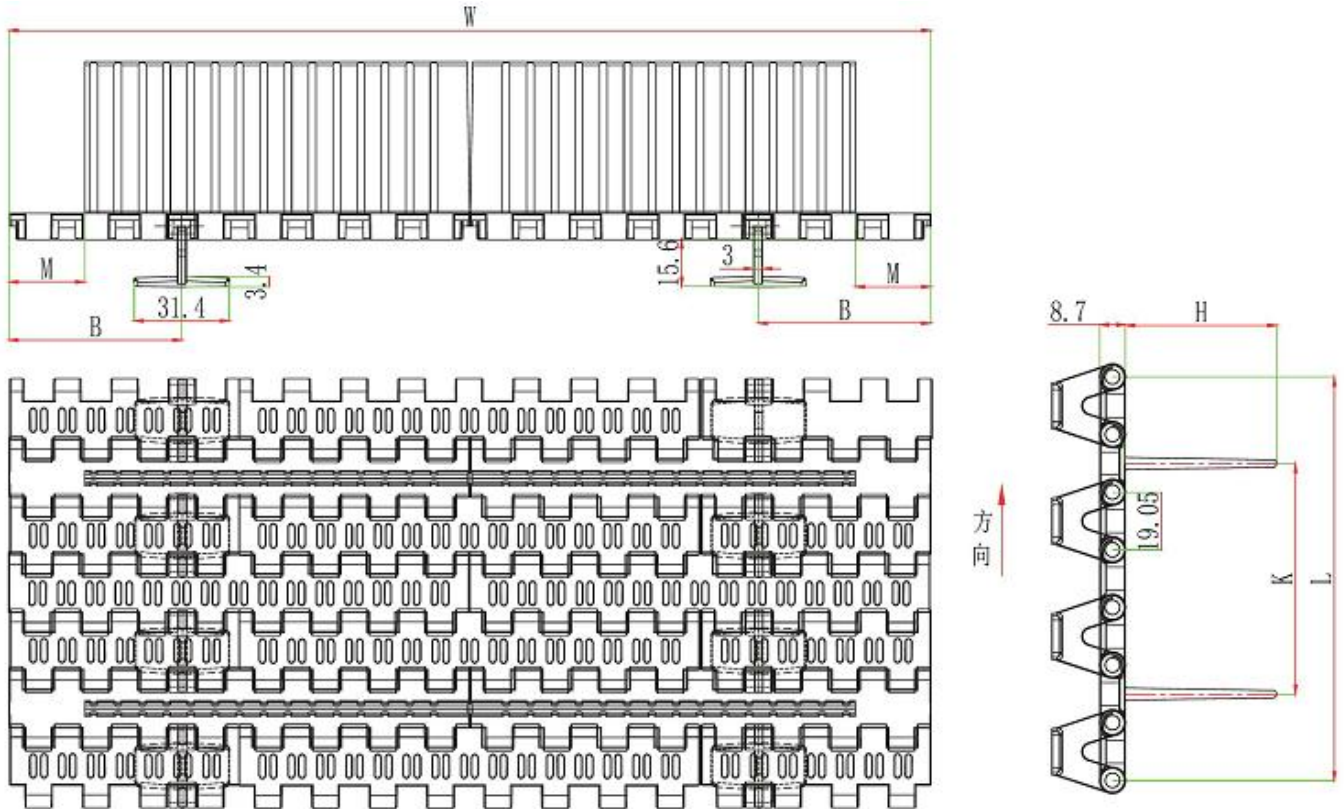


L	W	B



## T-300 modular belt with flight and positrack

- It is suitable for all kinds of food industry, and other packaging line conveyors.
- The positrack and belt side distance:  $B=38.1+9.5*n$ ;
- The flight standard height: 20, 25, 30, 35, 40, 50, 75mm;
- The flight and belt side distance M: 25, 30, 35, 40, 45, 50mm.



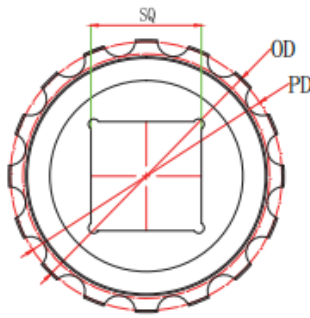
# T-300/400 single row teeth sprocket



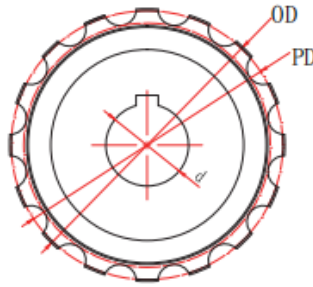
Suitable for T-300, T-400 modular belt

Raw material: PA6 Nylon

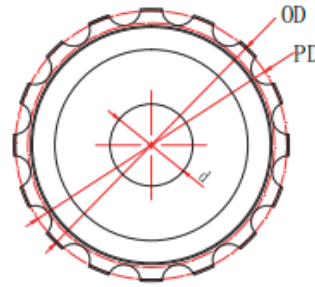
HF means split sprocket



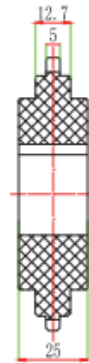
Square bore



Round bore with keyway



Round bore w/o keyway

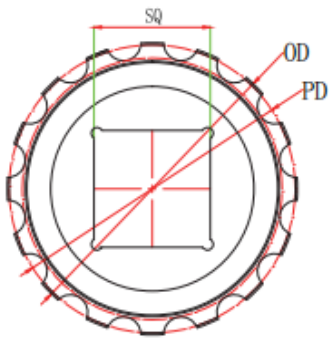


Teeth	Pitch diameter (mm)	Outer diameter (mm)	Bore size (mm)	Sprocket model		
				Square bore	Round bore	
					with keyway	w/o keyway
10	61.6	63.9	20		1-T-300/400-10-20	2-T-300/400-10-20
			25		1-T-300/400-10-25	2-T-300/400-10-25
12	73.6	75.7	25		1-T-300/400-12-25	2-T-300/400-12-25
			30		1-T-300/400-12-30	2-T-300/400-12-30
			35		1-T-300/400-12-35	2-T-300/400-12-35
16	97.6	99.9	25		1-T-300/400-16-25	2-T-300/400-16-25
			30		1-T-300/400-16-30	2-T-300/400-16-30
			35	1-T-300/400-16-40X40	1-T-300/400-16-35	2-T-300/400-16-35
18	109.7	112	25		1-T-300/400-18-25	2-T-300/400-18-25
			30		1-T-300/400-18-30	2-T-300/400-18-30
			35	1-T-300/400-18-40X40	1-T-300/400-18-35	2-T-300/400-18-35
20	121.8	124.2	25		1-T-300/400-20-25	2-T-300/400-20-25
			30		1-T-300/400-20-30	2-T-300/400-20-30
			35	1-T-300/400-20-40X40	1-T-300/400-20-35	2-T-300/400-20-35
24	145.9	149	25		1-T-300/400-24-25	2-T-300/400-24-25
			30		1-T-300/400-24-30	2-T-300/400-24-30
			35	1-T-300/400-24-40X40	1-T-300/400-24-35	2-T-300/400-24-35
25	152	154.7	30		1-T-300/400-25-30	2-T-300/400-25-30
			40	1-T-300/400-25-40X40	1-T-300/400-25-40	2-T-300/400-25-40

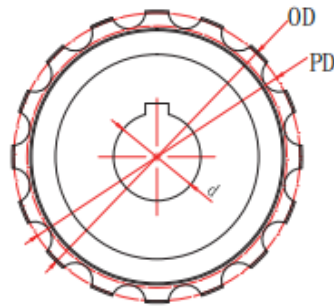
If the bore size is below 40mm, and the outer diameter above 120mm, it can be made into split sprocket.

# T-300/400 double row teeth sprocket

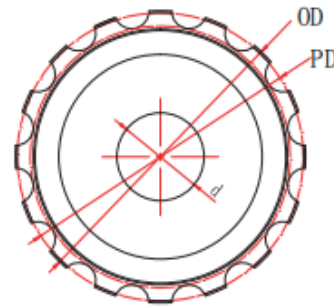
Suitable for T-300, T-400 modular belt  
 Raw material: PA6 Nylon  
 HF means split sprocket



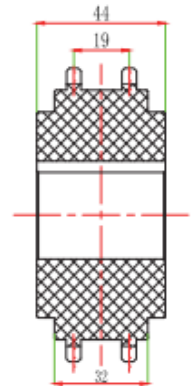
Square bore



Round bore with keyway



Round bore  
w/o keyway



Teeth	Pitch diameter (mm)	Outer diameter (mm)	Bore size (mm)	Sprocket model			
				Square bore		Round bore	
				Sprocket/idler	sprocket	Idler	
10	61.6	63.9	20	1-T-300/400B-10-20	2-T-300/400B-10-20		
			25	1-T-300/400B-10-25	2-T-300/400B-10-25		
12	73.6	75.7	25	1-T-300/400B-12-25	2-T-300/400B-12-25		
			30	1-T-300/400B-12-30	2-T-300/400B-12-30		
			35	1-T-300/400B-12-35	2-T-300/400B-12-35		
14	85.6	87.7	25	1-T-300/400B-14-25	2-T-300/400B-14-25		
			30	1-T-300/400B-14-30	2-T-300/400B-14-30		
			35	1-T-300/400B-14-35	2-T-300/400B-14-35		
17	103.6	106	25	1-T-300/400B-17-25	2-T-300/400B-17-25		
			30	1-T-300/400B-17-30	2-T-300/400B-17-30		
			35	1-T-300/400B-17-40X40	1-T-300/400B-17-35	2-T-300/400B-17-35	
20	121.8	124.2	25	1-T-300/400B-20-25	2-T-300/400B-20-25		
			30	1-T-300/400B-20-30	2-T-300/400B-20-30		
			35	1-T-300/400B-20-40X40	1-T-300/400B-20-35	2-T-300/400B-20-35	
23	139.9	142.5	25	1-T-300/400B-23-25	2-T-300/400B-23-25		
			30	1-T-300/400B-23-30	2-T-300/400B-23-30		
			35	1-T-300/400B-23-40X40	1-T-300/400B-23-35	2-T-300/400B-23-35	
25	152	154.7	30	1-T-300/400B-25-30	2-T-300/400B-25-30		
			40	1-T-300/400B-25-40X40	1-T-300/400B-25-40	2-T-300/400B-25-40	

If the bore size is below 40mm, and the outer diameter above 120mm, it can be made into split sprocket.

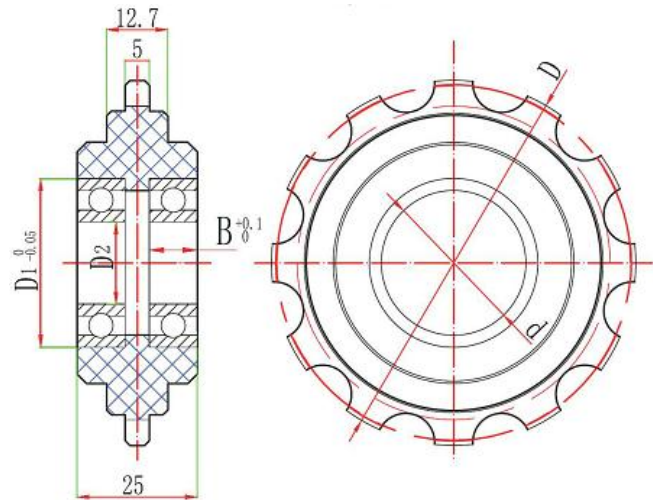
# T-300/400 Single row teeth idler

- Polyamide PA6, Machined, high precision, matching well
- Good strength, can be used in light load transport
- It can be used for 820/812 series idler with bearings
- The shape and thickness should be machined by Lilai standard
- D1 means bearing outer diameter, Tolerance from  $-0.05 \sim 0$ , D2 means bearing inner diameter, B means bearing thickness, Tolerance from  $0 \sim +0.1$ ;

**Model: Process method – Code – Teeth – D2 – Bearing No.**

**Example: 2 – T-300/400 – 12 – 17 – 6003**

**PO NO.:**  -  -  -  -



① Standard bearing technical parameter

Bearing NO.	D1	D2	B	d
6003	35	17	10	30
6004	42	20	12	35
6005	47	25	12	40
6205	52	25	15	45
6006	55	30	13	45
6007	62	35	14	50

② Standard T-300/400 idler

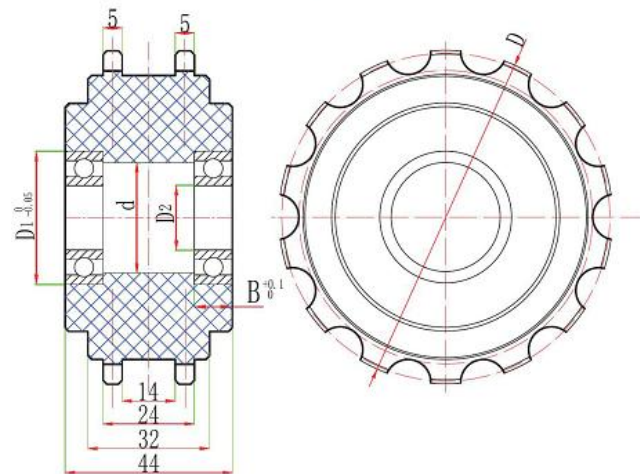
Teeth	Diameter D	Diameter A
10	63.6	50
12	75.7	50
14	87.7	60
16	99.9	60
18	112	68
20	124.2	80
24	149.8	90
25	154.7	100

# T-300/400 double row teeth idler

**Model: Process method – Code – Teeth – D2 – Bearing No.**

**Example: 2 – T-300/400B – 14 – 20 – 6004**

**PO NO. :**  -  -  -  -



① Standard bearing technical parameter

Bearing NO.	D1	D2	B	d
6003	35	17	10	30
6004	42	20	12	35
6005	47	25	12	40
6205	52	25	15	45
6006	55	30	13	45
6007	62	35	14	50

② Standard T-300/400 idler

Teeth	Diameter D	Diameter A
10	63.6	50
12	75.7	50
14	87.7	60
16	99.9	60
18	112	68
20	124.2	80
24	149.8	90
25	154.7	100