

T-3200 Modular belt

- Main applications: conveying boxes, Tyre and etc;
- Belt Material: POM , roller material : PP+TPE(rubber) .
- Working Temperature: +1°C ~ +80°C;
- Pin of belt: 5mm PBT . Pin of roller: 4mm SS304;
- Working load (25°C): 27450N/M;
- Open area: 3%;
- Weight: 19.86 kg/m²



sprocket P260



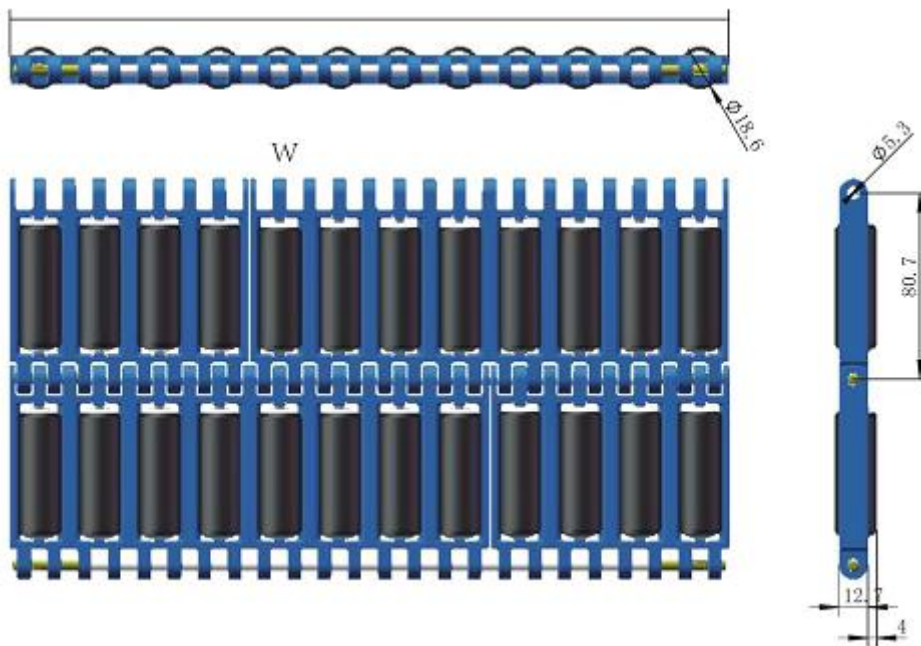
parts P306-332



wear strip P355-359



chain guide P343-354



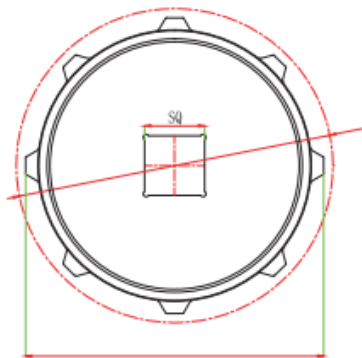
Standard Width: $W=104*N$

W (mm)	104	208	312	416	520	624	728	832	104*N
--------	-----	-----	-----	-----	-----	-----	-----	-----	-------

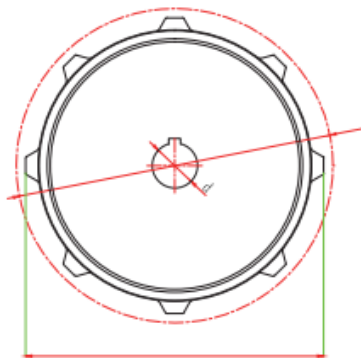
Remarks: N, n is the multiples of integers, when design or purchase the belt, please contact the sales first to confirm the actual width.

T-3200 sprocket

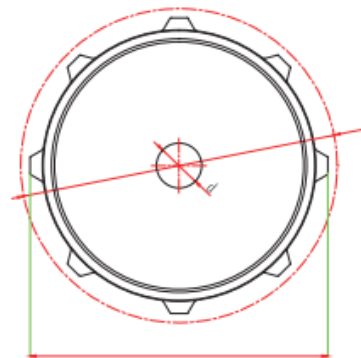
Raw material: nylon PA6



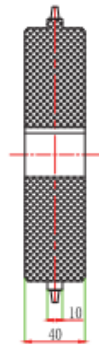
Square bore



Round bore with keyway



Round bore
w/o keyway



Teeth	Pitch diameter (mm)	Outer diameter (mm)	Bore size (mm)	Sprocket model		
				Square bore	Round bore	
					with keyway	w/o keyway
8	210.9	198.5	30		1-T-3200-8-30	2-T-3200-8-30
			35		1-T-3200-8-35	2-1-3200-8-35
			40	1-T-3200-8-40X40	1-T-3200-8-40	2-T-3200-8-40
			50		1-T-3200-8-50	2-1-3200-8-50
10	261.2	252.1	30		1-T-3200-10-30	2-T-3200-10-30
			35		1-T-3200-10-35	2-1-3200-10-35
			40	1-T-3200-10-40X40	1-T-3200-10-40	2-T-3200-10-40
			50		1-T-3200-10-50	2-T-3200-10-50