

# T-500TL Raised rib modular belt

- Main application: large sterilization machines and accumulative table for bottles;
- Material: PP. Work temperature: +1°C ~ +98 °C; acidproof
- Load: 23400N/M;
- Open area: 34%
- Color: gray
- Weight: PP 12.50kg/m<sup>2</sup>



sprocket P254-255



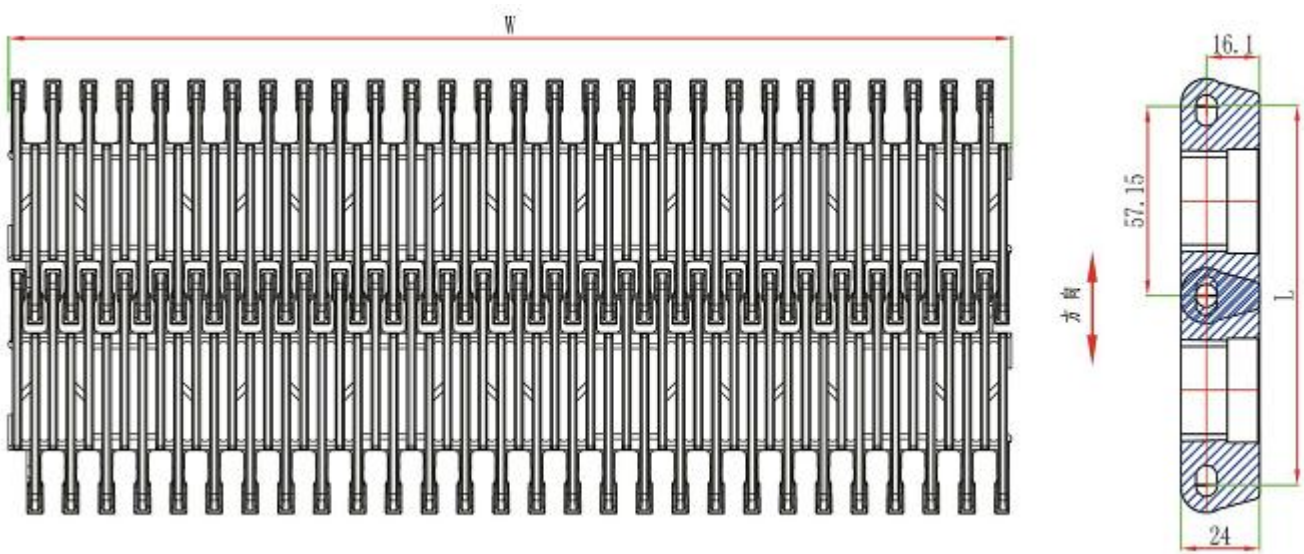
parts P306-332



wear strip P355-359



chain guide P343-354



Standard Width:  $W=152.4*N$

W (mm)	152.4	304.8	609.6	914.4	1219.2	1524	1828.8	2133.6	152.4*N
--------	-------	-------	-------	-------	--------	------	--------	--------	---------

Remarks: N, n is the multiples of integers, when design or purchase the belt, please contact the sales first to confirm the actual width.

# T-500JQ Raised rib modular belt

- Main application: large sterilization machines and accumulative table for bottles;
- Belt Material: PP. Work temperature: +1°C ~ +98 °C; acidproof
- Pin and lock material: stainless steel
- Load: 23400N/M;



sprocket P254-255



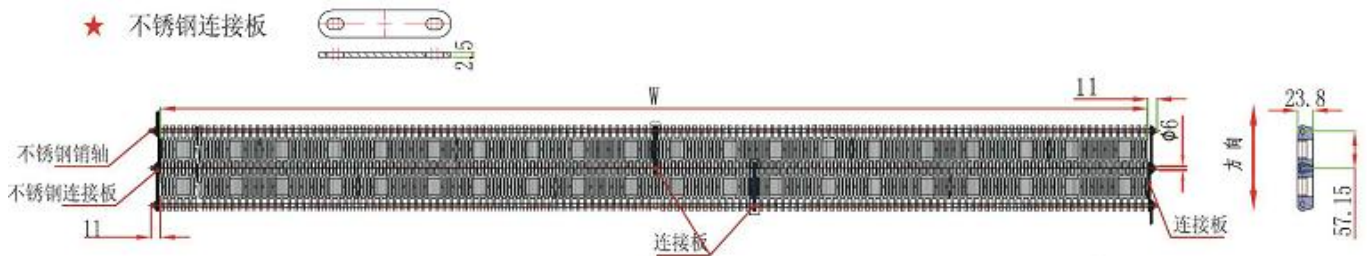
parts P306-332



wear strip P355-359



chain guide P343-354



Standard Width:  $W=152.4*N+22$

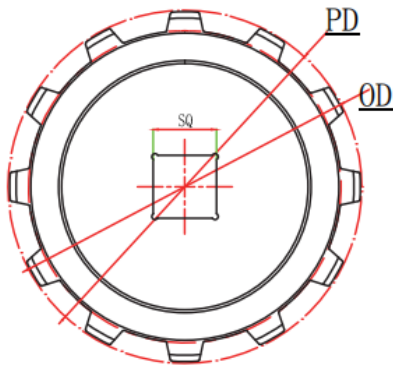
W (mm)	1241.2	1546	1850.8	2140.2	2460.4	2612.8	$152.4*N+22$

Remarks: N, n is the multiples of integers, when design or purchase the belt, please contact the sales first to confirm the actual width.

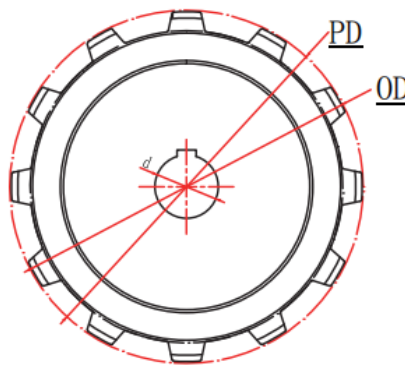
# T-500/T-600 Sprocket

Raw material: nylon PA6

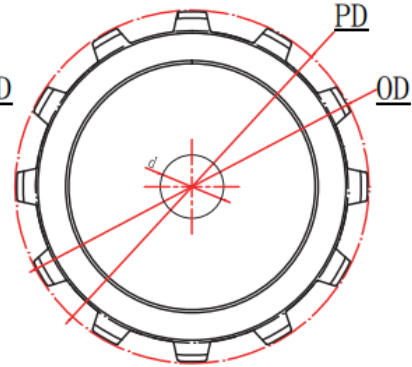
Machined processed



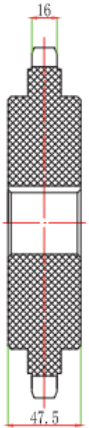
Square bore



Round bore with keyway



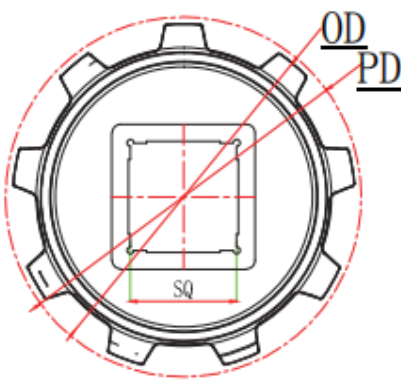
Round bore w/o keyway



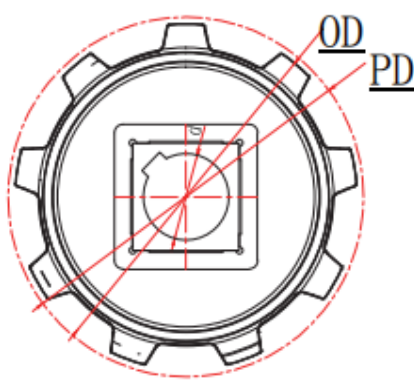
Teeth	Pitch diameter (mm)	Outer diameter (mm)	Bore size (mm)	Sprocket model		
				Square bore	Round bore	
					swith keyway	w/o keyway
7	133.58	131.6	30		1-T-500/600-7-30	2-T-500/600-7-30
			35	1-T-500/600-7-40X40	1-T-500/600-7-35	2-1-500/600-7-35
9	167.46	163	30		1-T-500/600-9-30	2-T-500/600-9-30
			35		1-1-500/600-9-35	2-T-500/600-9-35
			40	1-T-500/600-9-40X40	1-T-500/600-9-40	2-T-500/600-9-40
12	223.94	222	30		1-T-500/600-12-30	2-T-500/600-12-30
			40	1-T-500/600-12-40X40	1-T-500/600-12-40	2-T-500/600-12-40
14	260.47	258.5	40		1-T-500/600-14-40	2-T-500/600-14-40
			50	1-T-500/600-14-40X40	1-T-500/600-14-50	2-T-500/600-14-50
			60	1-T-500/600-14-50X50	1-T-500/600-14-60	2-T-500/600-14-60

# T-500/T-600 Sprocket

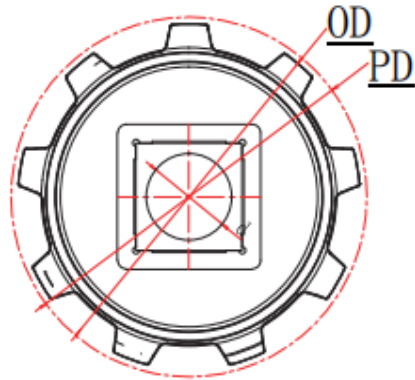
Raw material: nylon  
Molded injection processed



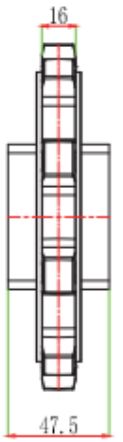
Square bore



Round bore with keyway



Round bore  
w/o keyway



Teeth	Pitch diameter (mm)	Outer diameter (mm)	Bore size (mm)	Sprocket model		
				Square bore	Round bore	
					with keyway	w/o keyway
9	167.46	163	30	3-T-500/600-9-30	4-T-500/600-9-30	
			35	3-1-500/600-9-35	4-T-500/600-9-35	
			40	3-T-500/600-9-40X40	3-T-500/600-9-40	4-T-500/600-9-40
14	260.47	258.5	40	3-T-500/600-14-40	4-T-500/600-14-40	
			50	3-T-500/600-14-50	4-T-500/600-14-50	
			60	3-T-500/600-14-80X80	3-T-500/600-14-60	4-T-500/600-14-60