

T-800 Modular belt

- Application: Material sideflexing conveyer
- Pitch: 25.4mm ,thickness:13mm.
- The smallest Inner Radius is 2.7 times * W
- Raw material: POM belt with PP pin
- Weight: 7.6kg/sq
- Open area: 42%
- Color: white
- Standard width of belt: 228.5+/-12.7*N



sprocket P137



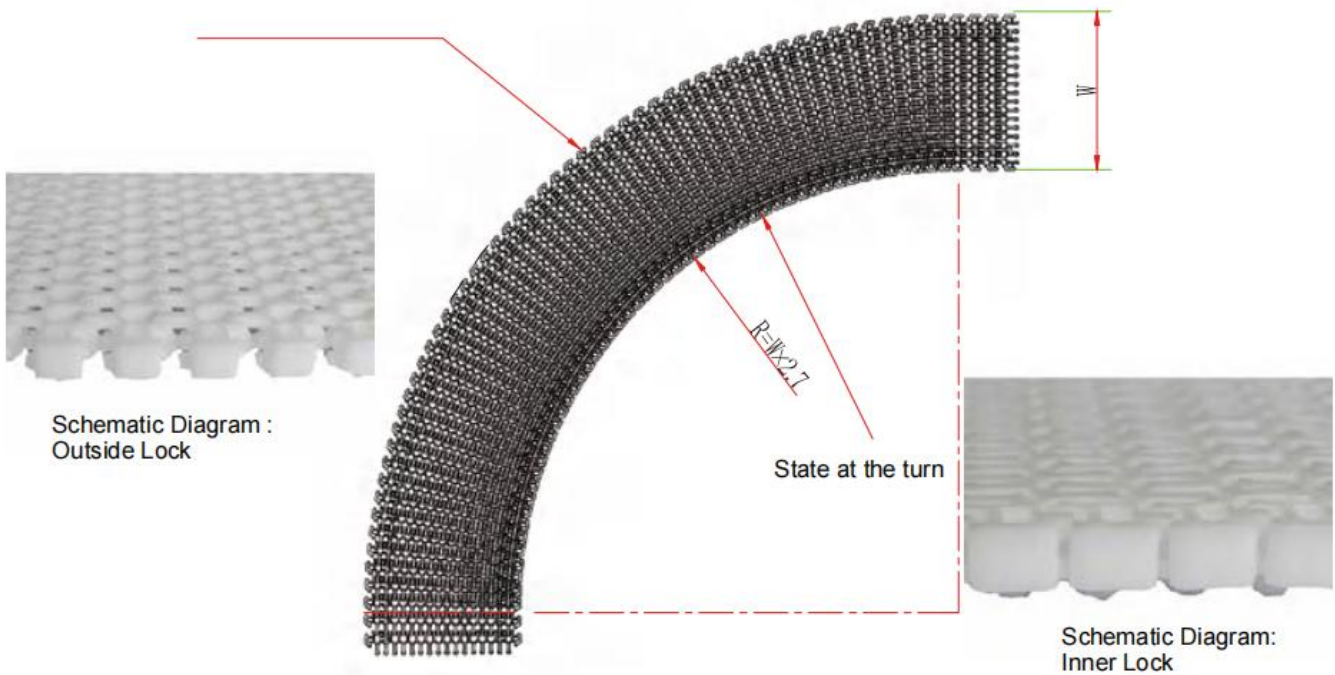
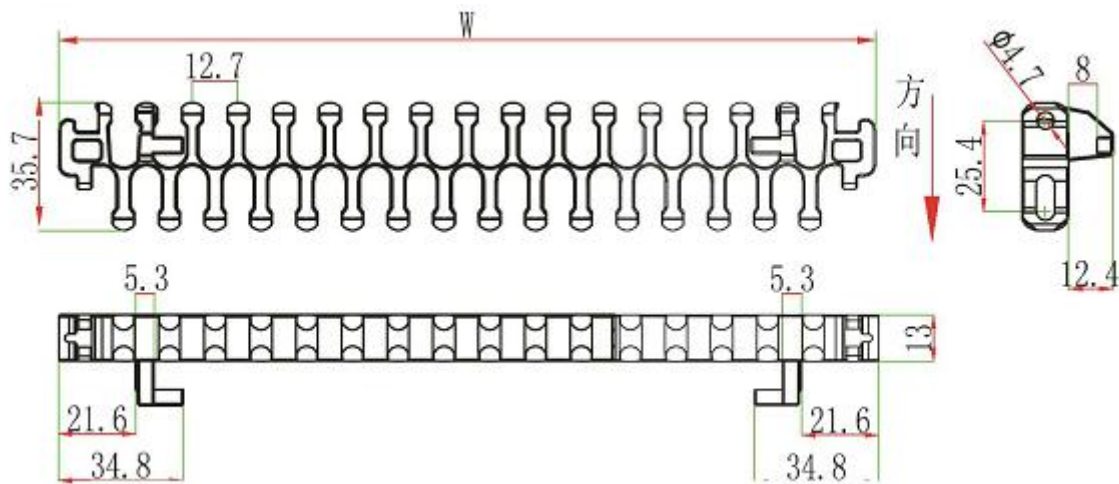
parts P306-332



wear strip P355-359

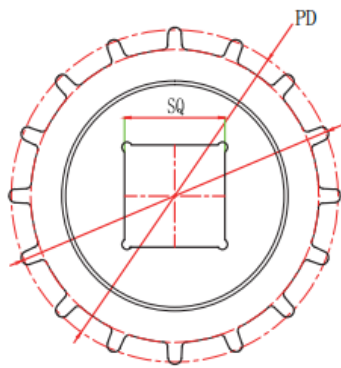


chain guide P343-354

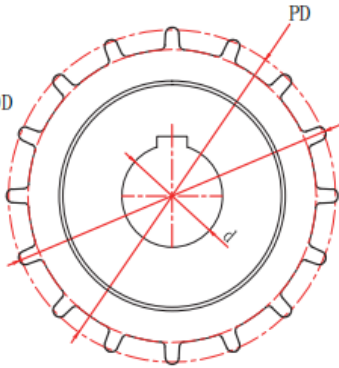


T-800 Sprocket

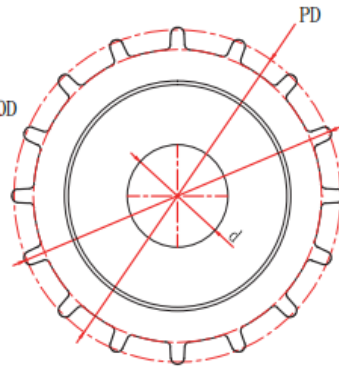
Suitable for T-800 Modular belt
Raw material: nylon PA6



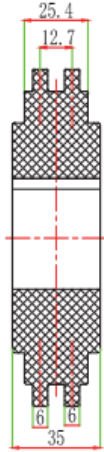
Square bore



Round bore with keyway



Round bore w/o keyway



Teeth	Pitch diameter (mm)	Outer diameter (mm)	Bore size (mm)	Sprocket model		
				Square bore	Round bore	
					with keyway	w/o keyway
12	98.1	98.8	20		1-T-800-12-20	2-1-800-12-20
			25		1-1-800-12-25	2-T-800-12-25
			30		1-T-800-12-30	2-T-800-12-30
16	130.2	131.9	25		1-T-800-16-25	2-1-800-16-25
			30		1-T-800-16-30	2-T-800-16-30
			35		1-T-800-16-35	2-T-800-16-35
			40	1-T-800-16-40X40	1-T-800-16-40	2-T-800-16-40
20	162.4	164.4	25		1-7-800-20-25	2-T-800-20-25
			30		1-1-800-22-30	2-1-800-20-30
			35		1-1-800-20-35	2-1-800-20-35
			40	1-T-800-20-40X40	1-T-800-20-40	2-T-800-20-40
24	194.6	196.3	25		1-T-800-24-25	2-T-800-24-25
			30		1-T-800-24-30	2-T-800-24-30
			35		1-T-800-24-35	2-T-800-24-35
			40	1-T-800-24-40X40	1-T-800-24-40	2-T-800-24-40

