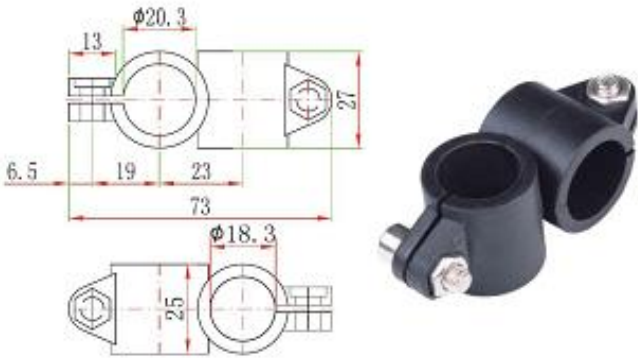


| Code | Item | Material | Color | weight |
|------|-------------|----------|-------|--------|
| 806 | Cross clamp | Nylon | Black | 0.02kg |



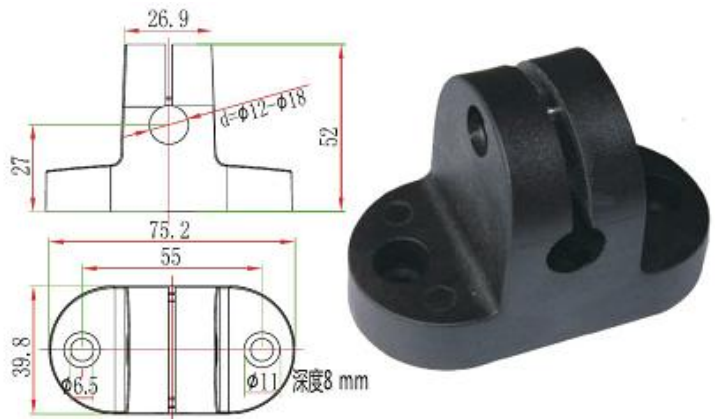
| Code | Item | Material | Color | weight |
|------|---------|----------|-------|--------|
| 809 | Clamp C | nylon | black | 0.06kg |



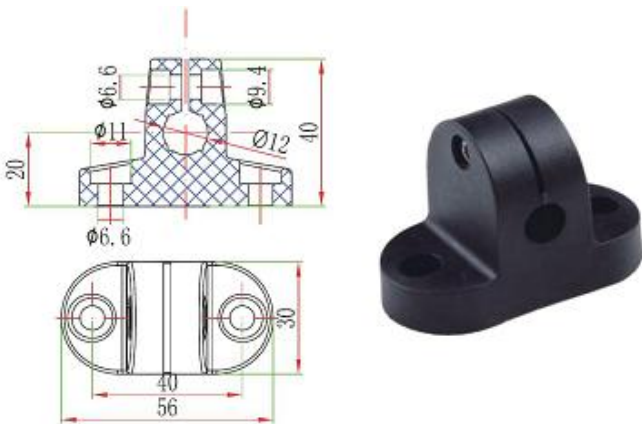
| Code | Item | Material | Color | weight |
|------|---------------|----------|-------|---------|
| 807 | Cross clamp A | Nylon | Black | 0.027kg |



| Code | Item | Material | Color | weight |
|-------|---------|----------|-------|---------|
| 808-B | Clamp D | nylon | black | 0.066kg |



| Code | Item | Material | Color | weight |
|------|---------------|----------|-------|---------|
| 808 | Cross clamp B | Nylon | Black | 0.035kg |



| Code | Item | Material | Color | weight |
|------|-----------|----------|-------|--------|
| 810 | Connector | nylon | black | 0.01kg |

