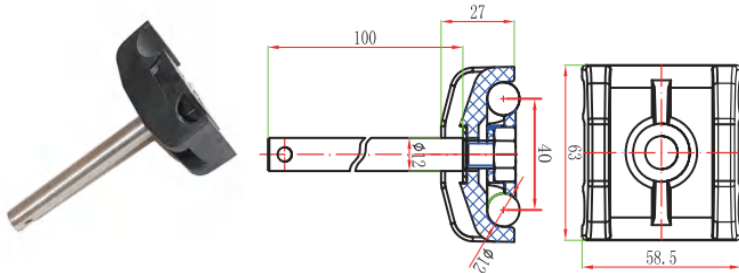
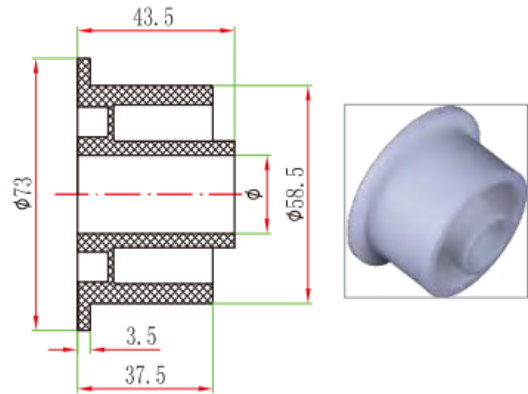


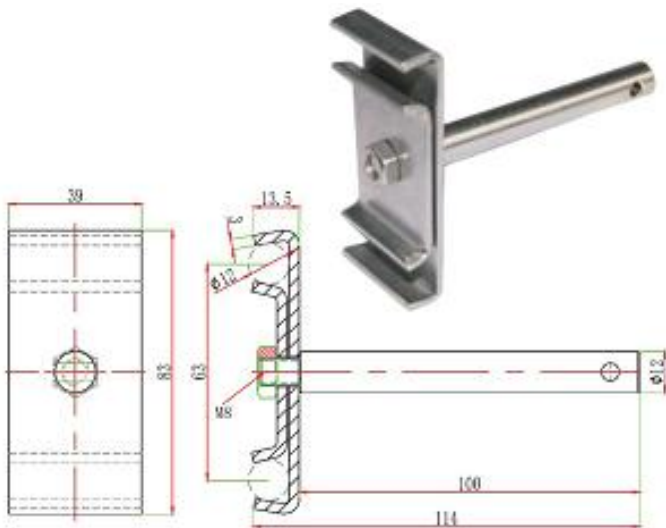
Code	Item	Material	Color	weight
815D	Clamp D	Nylon	black	0.155kg



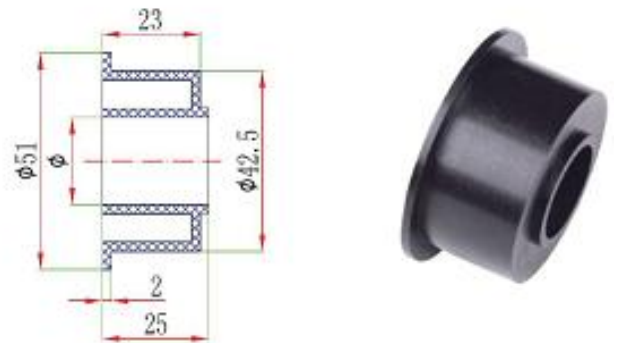
Code	Item	Material	dia	Color	weight
819	Wheel	PP	20	white	0.05kg



Code	Item	Material	Color	weight
818A	Clamp E	SS304	nature	0.22kg

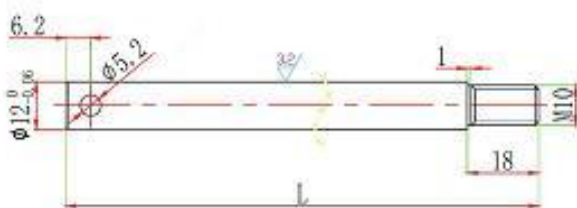


Code	Item	Material	dia	Color	weight
820	B-2	nylon	20	black	0.018kg
820-2	B-2/B	nylon	16	black	0.02kg



Code	Item	Material	Length	qty
816SD	Clamp rod	201/304		

Nonstandard length MOQ: 100PCS



Code	Item	Material	Color	weight
821	B-3	nylon	black	0.03kg
821-2	B-3/B	nylon	black	0.038kg

