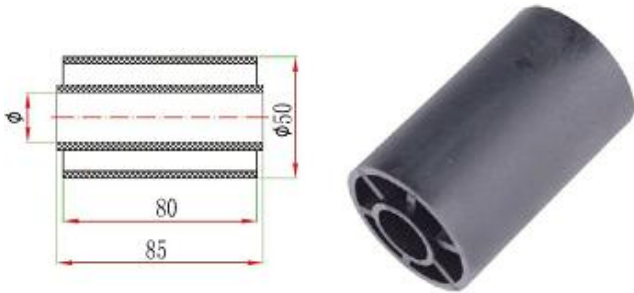
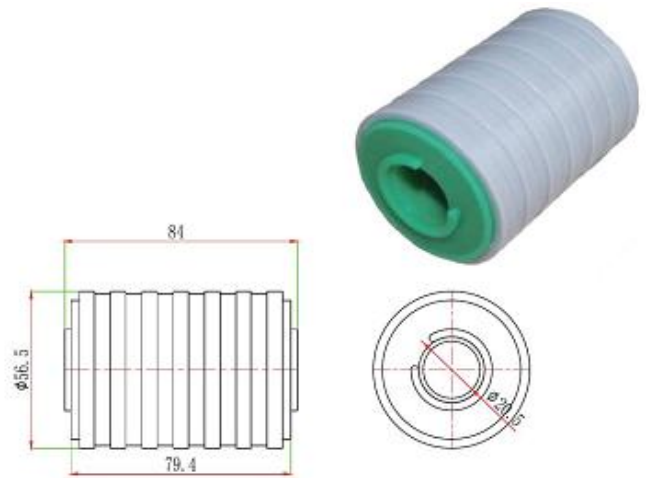


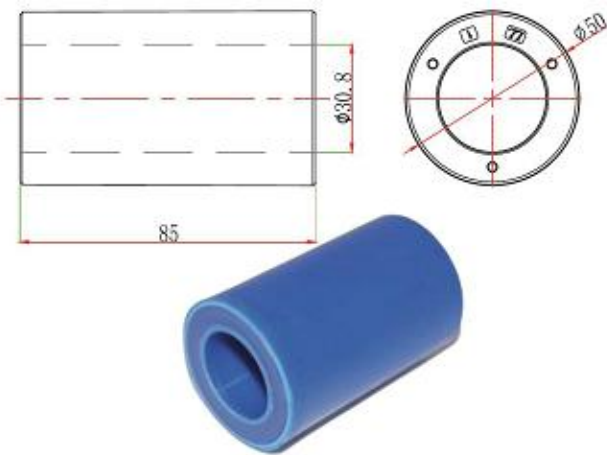
Code	Item	Material	Color	weight
822	Wheel B-4	Nylon	black	0.088kg
822-2	Wheel B-4/B	Nylon	black	0.098kg



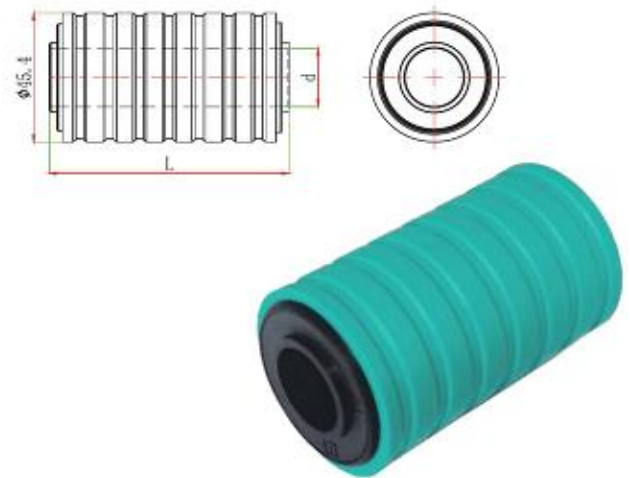
Code	Item	Material	Color	weight
840	wheel	Nylon+TPE	Grey	0.078kg



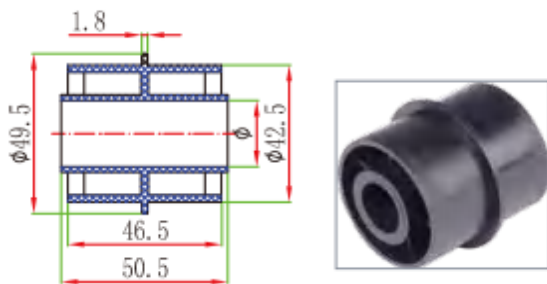
Code	Item	Material	Color	weight
822-3	Wheel	PP	blue	0.049kg



Code	Item	Material	L mm	d mm	weight
840-B	wheel	PP+TPE	82	20	64g
840-C	wheel	PP+TPE	84.5	20	66g
840-D	wheel	PP+TPE	84.5	18	69g



Code	Item	Material	dia	Color	weight
827	Wheel	Nylon	20	black	36g
827-2	Wheel/B	Nylon	16	black	42g



Code	Item	Material	Color	weight
863	wheel	Nylon+TPE	black	100g
863-B	wheel	Nylon+TPE	black	110g

