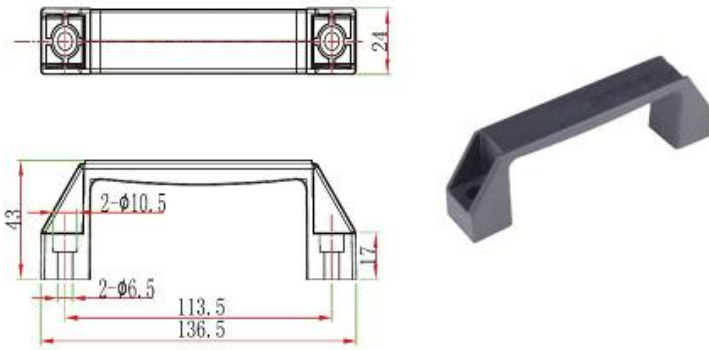
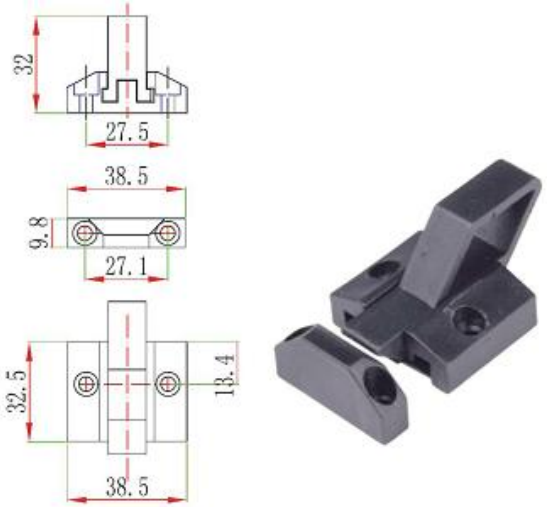


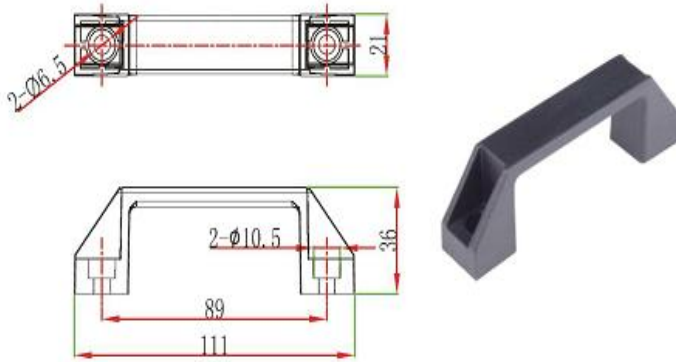
Code	Item	Material	Color	weight
843	Handle	Nylon	black	45g



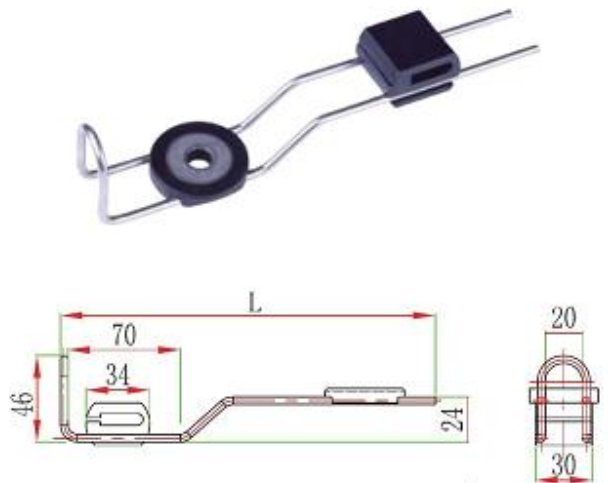
Code	Item	Material	color	weight
847	Lock	Nylon	black	20g



Code	Item	Material	Color	weight
845	Handle	Nylon	black	28g



Code	Item	Material	Length L	weight
848A	Tray support	Nylon+SS	200	80g
848B	Tray support	Nylon+SS	250	85g
848C	Tray support	Nylon+SS	200	82g



Code	Item	Material	color	weight
846	Joint	nylon	black	20g

The joint used together with 914A, 916A, 920 chain guide

