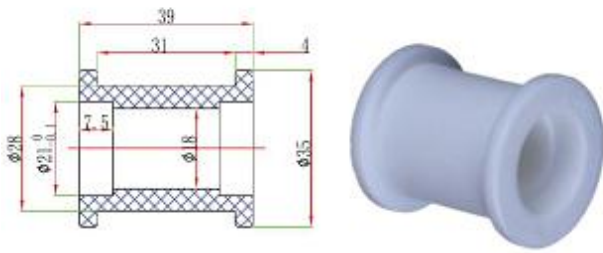
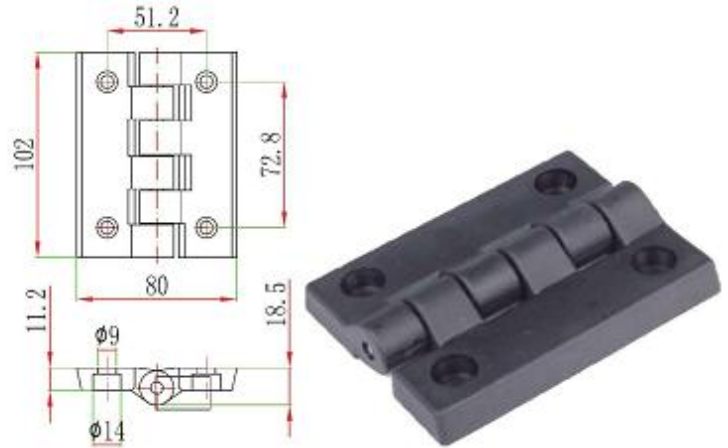


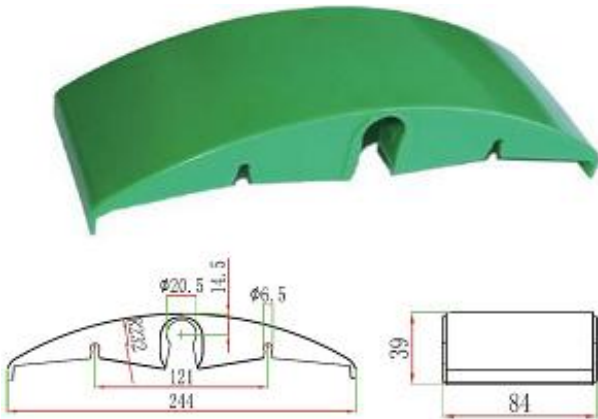
Code	Item	Material	Color	weight
864	60P Wheel	PP	white	17g



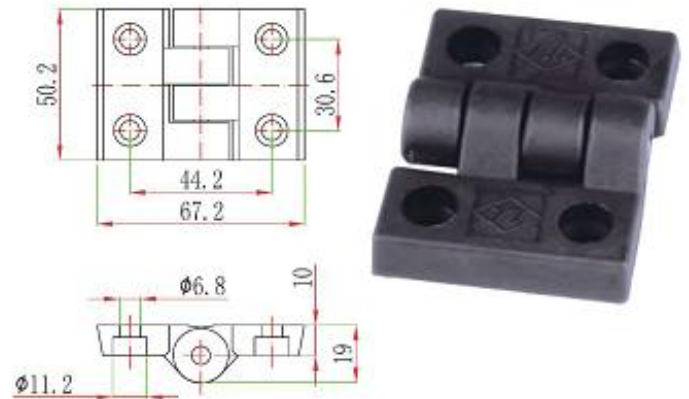
Code	Item	Material	Color	weight
823	hinge	Nylon	Black	110g



Code	Item	Material	Color	weight
818	Support	PP	green	105g



Code	Item	Material	Color	weight
824	hinge	Nylon	Black	50g



Code	D	d	Material	Color	weight
883A	70	20	nylon	black	8.3g
883B	70	16	nylon	black	8g

Code	Item	Material	Color	weight
824-C	hinge	Nylon	Black	33g

