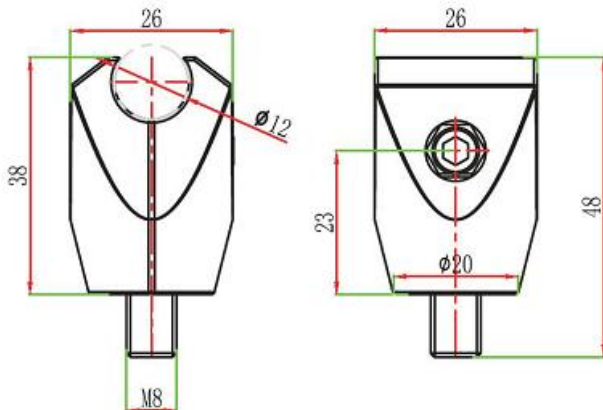
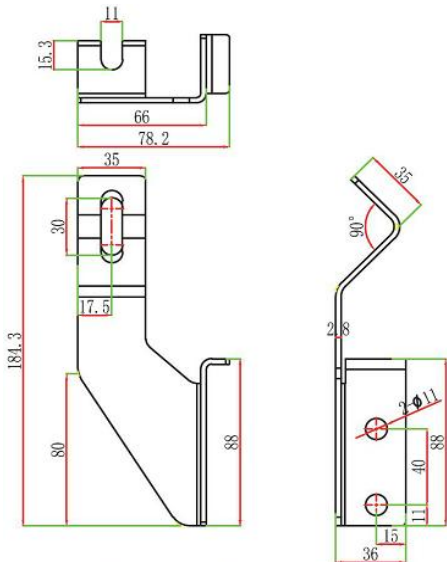


Code	Item	Material	weight
813B	SS clamp	SS304	120g



Code	Item	Material	weight
886A	bracket	SS304	288g



Code	Item	Material	weight
886B	bracket	SS304	288g

