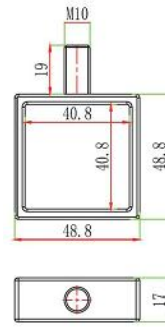
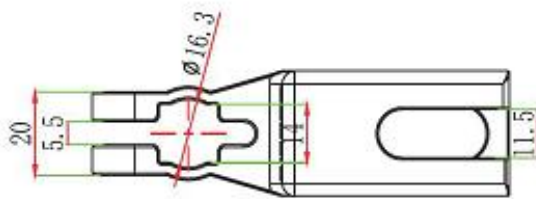
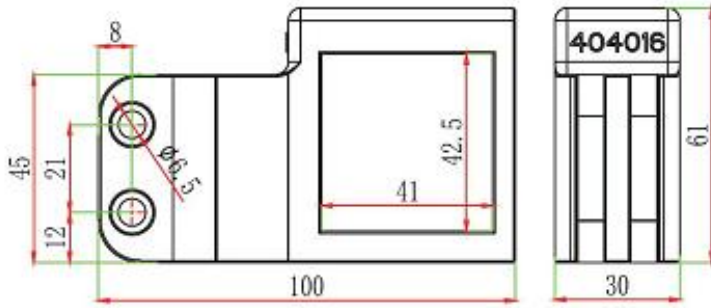


Code	Item	Material	weight
887A	Fixed base	SS304	450g



Code	Item	Material	weight
887B	Fixed base	SS304	450g

