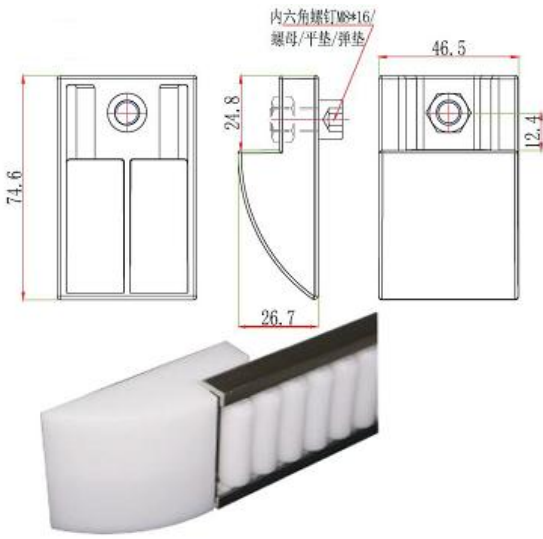


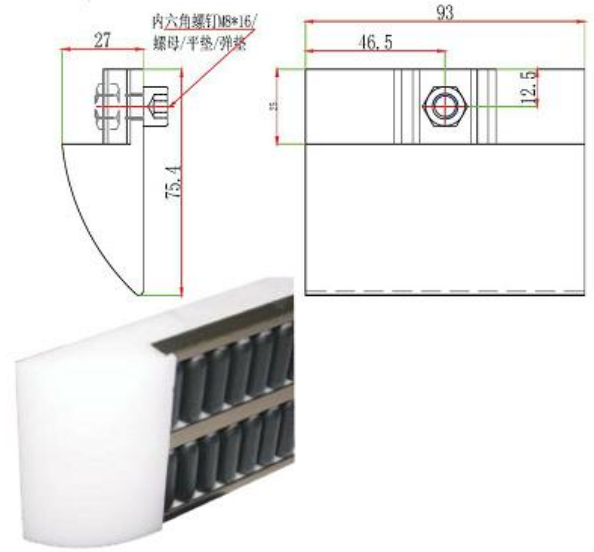
code	name	material	color	weight
914XJT-A	Guide shoe	POM+SS	white	49g

Molded injection processed



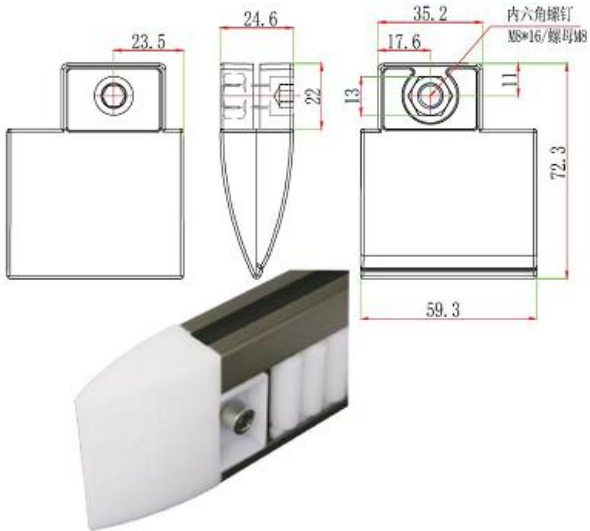
code	name	material	color	weight
914XJT-C	Guide shoe	UPE+SS	white	115g

machined processed



code	name	material	color	weight
914XJT-B	Guide shoe	POM+SS	white	53g

Molded injection processed



code	name	material	color	weight
914XJT-D	Guide shoe	UPE+SS	white	143g

machined processed

